



# 2021 INTERNATIONAL DECKING INSTALLATION GUIDE



## INSTALLATION TIPS

Capturing that exotic beauty when installing a Trex Transcend® deck in tropical colors is as easy as mixing and matching.



To start your deck design, mix and match all tropical boards on the jobsite.



Start lining them up, putting dark against light, as a practice run to help visualize the final look. You'll see that the variety of color board by board develops its own rich, random pattern full of lights and darks.



Continue mixing and matching boards to ensure an appealing mix of light and dark tones across the entire deck.

## QUICK REFERENCE GUIDE

### Mix and Match Colors/Color Variation

When installing any Trex decking product, especially Trex Transcend Tropicals, it is a good idea to mix and match all the boards on the job site prior to installation to ensure an appealing mix of light and dark tones.

### Installation Temperatures

Observe the instructions (page 8) and recommended joint distances (pages 12-18) depending on the local temperature during storage and at the time of installation. Trex decking must be able to expand due to the heat. Before installation, it must be taken into account that the joints between the decking boards expand according to the local temperature fluctuations.

### Cutting Ends of Boards

Always make a clean cut of at least 5mm at the ends of the plank (page 19). This gives you a neat and rectangular plank finish. Trex decking boards are provided with a small extra length for this.

### Spanning Requirements

Trex decking requires different joist spanning requirements based on load applications or deck orientation. *Refer to page 9 for additional information.*

### Gapping Requirements

Trex decking requires product to be gapped at installation to ensure proper spacing for expansion and contraction. *Refer to pages 12-16 for additional information.*

### Special Requirements When Using Trex Hideaway® at Abutted Deck Boards when using Trex mounting clips

If the joints between two board ends are made with Trex universal clips, special requirements apply to planning and installation. It is therefore important to use the universal fasteners correctly. You can find detailed information on professional installation on pages 16, 18 and 19.

## NEED HELP?

Trex provides a variety of valuable resources to answer your questions or concerns such as locating warranty information. For additional assistance, check out:


Country

- United States
- Australia
- Austria
- Bahrain
- Brazil
- Canada
- Chile
- Colombia
- Costa Rica
- Cyprus
- Czech Republic
- El Salvador
- Fiji
- France
- Germany
- India
- Ireland
- Israel
- Kuwait

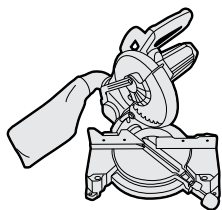
COUNTRY

### MORE

- Contact Us
- Connect
- Live chat: offline
- Site Map
- Privacy Policy
- Terms Of Use
- FAQs

 This symbol indicates text continues to next page.

## TOOLS NEEDED



Mitre saw blade



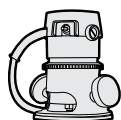
Standard power drill



Trex groove router bit

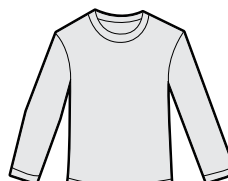


Carbide-tipped blades  
(recommended with 40 teeth or more)

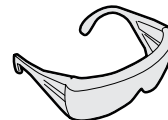


Trex groove cutter

## SAFETY



Long sleeves



Safety glasses



Gloves



Dust mask

### NOTE:

» Always refer to local safety code requirements prior to installation of any decking products.

## PLANNING AHEAD

### Trex Decking:

- » When installing any Trex decking product, especially Trex Transcend Tropicals, it is a good idea to mix and match all of the boards on the job site prior to installation to ensure an appealing mix of light and dark tones. See inside cover for more details.
- » For added protection to wood framing, use Trex® Protect® Joist and Beam Tape on the top of joists, rim joists, and ledger boards to help prevent rot and wood decay. Refer to [trexprotect.com](http://trexprotect.com) for more details.

### Trex Railing:

- » Trex Signature® railings are made to be installed at maximum 1,83 m or 2,44 m CLEAR SPAN BETWEEN POSTS.
- » Determine post locations prior to installing any decking. In most cases, posts are usually installed before decking is installed.
- » For post placement on stairs, it is VERY IMPORTANT to plan your post spacing based on the length of the rail and angle of the stairs. For nominal 1.83 m and 2.44 m stair rail lengths, stair post spans (measured horizontally) will be less than 1.83 m or 2.44 m due to the angle of the stairs.
- » Grill/Bar-B-Q placement: A good recommendation to help prevent damage to your railing is to not have a Grill/Bar-B-Q too close to your railing. Allow for ample airspace 45.7 - 76 cm is recommended - refer to Grill/Bar-B-Q manufacturer for additional details between the back/sides of your Grill/Bar-B-Q to help prevent charring or staining to the railing.

See individual instructions included with Trex Railing Products PRIOR to installing Trex decking.

### Trex Lighting:

- » Plan locations of lights, power supply, timer, and dimmer. These should be accessible for service if necessary.
- » Install wiring before decking and railing have been installed.
- » **DO NOT** run wires between joists and deck boards.

See individual instructions included with Trex Lighting PRIOR to installing Trex decking or railing products.

### Installing Hot Tubs, Planters, and Seating:

- » Plan ahead proper joist spanning if required. (This is especially important if installing a hot tub.)

### Installing Fireplaces and/or Fire Pits With Trex Decking:



- » Determine if fire will be gas or timber burning. (**Note:** Most fire pits shown in Trex images are gas burning.)

- » For gas, the fire pit is installed by cutting around the Trex decking. **It is not to be installed on top of Trex decking.** A fire-resistant material is installed under the fire pit and a protective “wall” made from stone or other fire-resistant material is installed to hold fire pit in place and also protect the decking from heat.
- » For timber, fire pits are not recommended on top of Trex decking unless using a non-flammable and heat-protective barrier between the decking and the fire pit. Timber-burning fire pits can damage the decking due to extreme heat from the bottom of the fire pit and/or burning embers “shooting” onto the decking.

### Installing a Pergola on Trex Decking:



- » Please consider the following: For assembly, a Trex pergola should be noted that all loads are not derived from the terrace construction. Plan concrete and foundations and attach the pergola with approved dowels and screws. We recommend inspection openings in the terrace for access to the screw connections at any time.

Trex® Pergola™ products are manufactured and sold by Home & Leisure, Inc., d/b/a/ Structureworks under a Trademark License Agreement with Trex Company, Inc. A 25-year Limited Warranty is provided by manufacturer.

## TREX TRANSCEND® AND TREX ENHANCE® DECKING CARE AND CLEANING GUIDE

All exterior building materials require cleaning. Generally, soap and water is all that is required to clean Transcend and Enhance decking products. For additional information, see table below.

PROBLEM	SOLUTION
Dirt and Debris	The affected area should be sprayed off with a hose to remove surface debris. Use warm soapy water and a soft bristle brush to remove dirt and debris from the embossing pattern.
Using a Pressure Washer (General Cleaning Issues)	A pressure washer with <b>no greater</b> than 214 Bar** that has a fan attachment/adjustment and soap dispenser may be used to remove dirt, concrete dust, or other types of construction dirt. Spray deck with soap, then follow by gently scrubbing each deck board with a soft bristle brush. Spray/rinse each individual deck board using a fan tip no closer than 203 mm from the decking surface. <b>RINSE THOROUGHLY.</b> If dirty water from cleaning is left to dry, a film will remain on the decking surface.
Issues with Concrete, Cement, Mortar, or Stucco Dust	When working with cement, concrete, mortar, or stucco, protect the decking as much as possible in order to not get dust particles on the decking surface. These particles, once they get hot or wet, can cause a reaction on the decking surface and are very difficult to remove. If particles get on the decking surface, Trex recommends using Sakrete™ Concrete Dissolver ( <a href="http://www.sakrete.com/products/concrete-dissolver">www.sakrete.com/products/concrete-dissolver</a> ). BE SURE TO FOLLOW MANUFACTURER'S INSTRUCTIONS.
Hard Water Staining	Hard water is water with high amounts of mineral deposits like lime, silica and calcium. When the water dries, deposits are left behind, leaving unsightly spots on surfaces. This is not a defect of Trex products but an issue with the water itself. Generally, these deposits can be cleaned with white vinegar on decking surfaces. Rinsing is required, so care should be taken to not use hard water for this purpose. If hard water must be used, dry with a cloth or use a blower to dry surfaces. In some cases a deck brightener product may also be used to help clean hard water stains.
Chalk Lines	Most colored chinks are permanent and may discolor the surface. Use only Irwin Strait-Line® Dust-Off Marking Chalk (purple), available at <a href="http://www.irwin.com">www.irwin.com</a> .
Tannins Due to Debris	Remove all debris from the deck using a hose or broom. Once the deck surface is dry, apply a deck "brightener"* to the deck as directed by the manufacturer. Deck Brighteners contain oxalic acid, which will also remove tannins.
Ice and Snow	A plastic shovel may be used to remove snow from the deck. Use calcium chloride or rock salt to melt the snow and ice from the deck surface.
Oil, Grease, and Food	All food spills should be removed as soon as possible. <b>The surface must be cleaned within seven days to maintain the stain warranty.</b> To remove, spray off with a hose and use warm, soapy water and a soft bristle brush to remove spills from the embossing pattern.
Mold and Mildew	If debris such as pollen and dirt is allowed to remain on the deck surface, mold can feed on the biofilm. Using a hose and warm, soapy water with a soft bristle brush is recommended to remove the food source and mold.



**NOTE:** Construction methods are always improving. Please refer to [www.trex.com](http://www.trex.com) (and your country) for the most up-to-date installation requirements.

# TREX TRANSCEND® AND TREX ENHANCE® DECKING CARE AND CLEANING GUIDE

PROBLEM	SOLUTION
<b>Trex and Static Electricity</b>	<p>While this is not common, static electricity can occur on walking surfaces in dry climates or in areas where dry winds and dust-borne particles lay on the decking surfaces. Static electricity can build up on occupants walking across any composite decking surface, including Trex, then produce a small static shock if they touch a grounded metal surface such as railing, door, etc.</p> <p>This condition can be decreased greatly with the use of a product call ACL Staticide®. Two products tested were General Purpose Staticide® and Heavy Duty Staticide®. Both are effective in greatly reducing static electricity on Trex decking surfaces. Apply full strength using a mop on a dry decking surface, and allow to dry; no rinsing or diluting needed. Products are non-toxic, non-flammable, non-staining (will not change the color of decking surface), completely biodegradable and safe to use. Product is water-based and may require a second application after rain or other weather conditions. Over a period of time, the effect of static will dissipate naturally on the decking surface.</p> <p>See link for more information on product:  <a href="http://www.aclstaticide.com/antistatic_coatings.html">http://www.aclstaticide.com/antistatic_coatings.html</a></p>
<b>Rubber Mats</b>	Use caution when using rubber-backed mats (i.e. welcome mats, etc.) as these may contain substances that can sometimes discolor or lighten the decking surface.
<b>Job Site Storage</b>	<p>Store decking on a flat level surface and ALWAYS use proper supports (dunnage). <b>DO NOT</b> store directly on the ground. When stacking decking bundles, supports (dunnage) should start approximately 203 mm from each end and be spaced approximately 0.61m on center. In addition, supports (dunnage) should line up vertically/perpendicular to the decking product. Adjust support blocks (dunnage) accordingly if bundles are loose. For Enhance decking and fascia profiles the maximum stack height is 12 bundles. For Transcend decking the maximum height is 14 bundles. <b>(IMPORTANT TO NOTE THAT PROPER DUNNAGE SPACING MUST BE IN PLACE FOR THESE HEIGHTS)</b>. When stacking multiple bundles, ensure that dunnage lines up vertically down through each stack. ALWAYS cover decking products on site until ready to be installed.</p>

*Strait-Line® is a registered trademark of Irwin Industrial Tool Company.*

*Sakrete™ is a trademark of Oldcastle APG, a CRH Company.*

*ACL Staticide® is a registered trademark of ACL Incorporated.*

*\*Use of products containing bleach or acid can lighten the surface of Trex. Use in an inconspicuous area to determine whether you like the effect. Neither product will affect the structural integrity of Trex.*

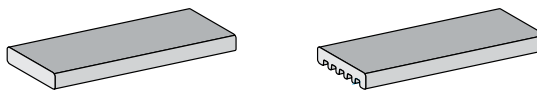
*\*\*Use of a pressure washer greater than 214 Bar could damage the boards and void the warranty.*

# TREX DECKING, FASCIA, AND FASTENING SYSTEMS

**NOTE:** Check with local distributor for product availability in your area.

## 25 mm Square-Edge Board

Actual Dimensions:  
25 mm x 140 mm x 365 cm / 487 cm / 609 cm



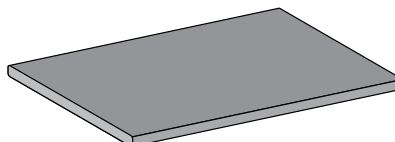
## 25 mm Grooved-Edge Board

Actual Dimensions:  
25 mm x 140 mm x 365 cm / 487 cm / 609 cm



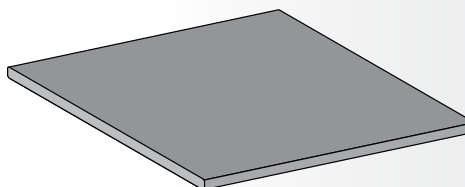
## 14 x 184 mm Fascia

Actual Dimensions:  
14 mm x 184 mm x 365 cm



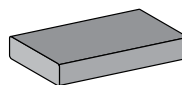
## 14 x 288 mm Fascia

Actual Dimensions:  
14 mm x 288 mm x 365 cm



## 33 mm Square-Edge Board

Actual Dimensions:  
33 mm x 86 mm x 487 cm  
33 mm x 140 mm x 365 cm / 487 cm / 609 cm



## Trex Universal Start Clip/Elevations Start Clip

Black-coated Stainless Steel (steel grade 302SS)

*Note: For use with wood framing only*



## Trex Elevations Universal Hidden Fastener

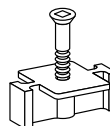
Glass-filled Nylon (steel grade 410SS)

## Trex Universal Hidden Fastener or

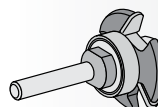
Glass-filled Nylon (steel grade 302SS)

## Trex Universal Hidden Fastener (for use with Aluminum Substructure)

Glass-filled Nylon (steel grade 300 series)

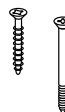


## Router Bit



## Fascia and Deck Screws (Not supplied by Trex)

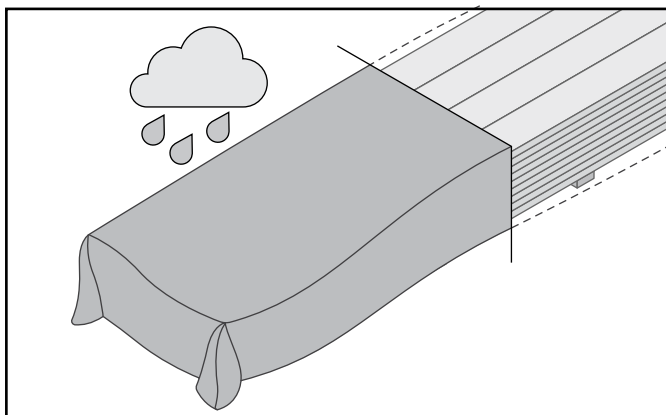
Supplied by installer



## JOB SITE STORAGE

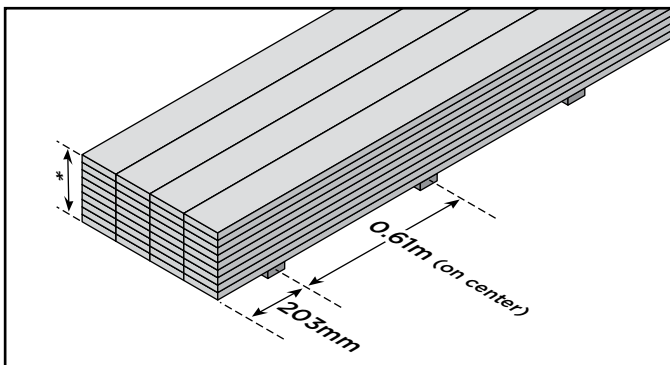
### MOISTURE PROTECTION

ALWAYS cover decking products, even on construction site, until ready to be installed to prevent moisture. Tannins (brown spotting) can be washed off boards if this occurs.



### STORAGE REQUIREMENTS:

Store decking on a flat level surface and ALWAYS use proper supports. DO NOT store directly on the ground. When stacking decking bundles, supports should start approximately 203 mm from each end and be spaced approximately 0.61 m on center. In addition, supports should line up vertically/perpendicular to the decking product. Adjust supports accordingly if bundles are loose. (IMPORTANT TO NOTE THAT PROPER SUPPORT SPACING MUST BE IN PLACE FOR THESE HEIGHTS). When stacking multiple bundles, ensure that supports line up vertically down through each stack.



**\*Enhance decking, and 1 x 12 and 1 x 8 products:**  
maximum stack height is 12 bundles.

**Transcend decking:**  
maximum stack height is 14 bundles.

### TREX AND STATIC ELECTRICITY

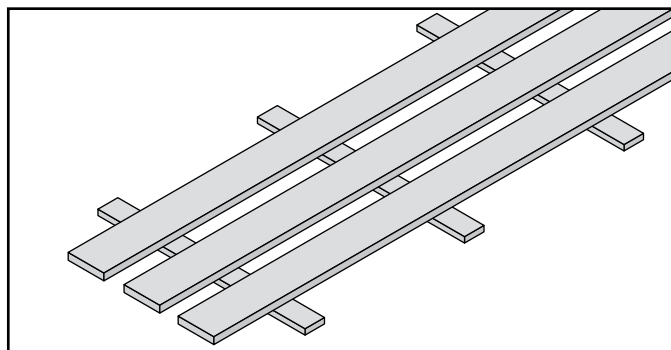
While this is not common, static electricity can occur on walking surfaces in dry climates or in areas where dry winds and dust-borne particles lay on the decking surfaces. Static electricity can build up on occupants walking across any composite decking surface, including Trex, then produce a small static shock if they touch a grounded metal surface such as a railing, door, etc.

This condition can be decreased greatly with the use of a product call ACL Staticide®. Two products tested were General Purpose Staticide® and Heavy Duty Staticide®. Both are effective at greatly reducing static electricity on Trex decking surfaces. Apply full strength, using a mop on a dry decking surface, and allow to dry. No rinsing, no diluting needed. Products are non-toxic, non-flammable, non-staining (will not change the color of decking surface), completely biodegradable and safe to use. Product is water based and may require a second application after rain or other weather conditions. Over a period of time, the effect of static will dissipate naturally on the decking surface. See link for more information on product:

[http:// www.aclstaticide.com/antistatic\\_coatings.html](http://www.aclstaticide.com/antistatic_coatings.html)

### TEMPERATURES AT INSTALLATION

If boards have been stored in a cold environment, or if installing in localities prone to large temperature shifts within a 24-hour period, its best to lay boards out on framing (DO NOT ATTACH OR CUT) to allow boards to acclimate to current temperatures BEFORE installation.

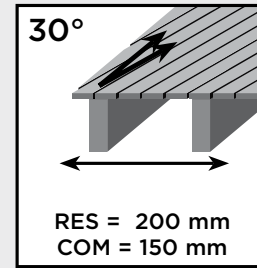
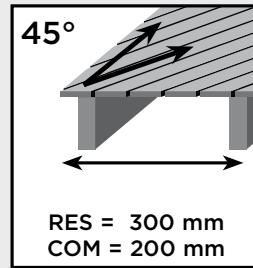
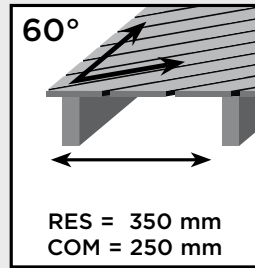
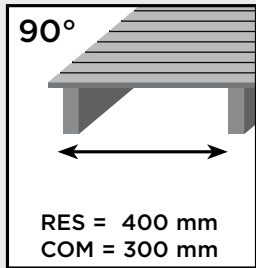




# SPANNING REQUIREMENTS

JOIST SPACING SPAN CHART (Center-to-Center)			
	Residential Decks, Light Duty Docks, Residential/Day Care Playground	Commercial Decks, Boardwalks and Marinas	
Decking Loading	4788 N/m <sup>2</sup>	4788 N/m <sup>2</sup>	9576 N/m <sup>2</sup>
25 mm x 140 mm Boards	400 mm	400 mm	300 mm
33 mm x 140 mm Boards	600 mm	600 mm	400 mm

## ADJUST JOIST SPANNING TO ACCOMMODATE ANGLED DECKING PATTERNS



## RECOMMENDED FASTENERS

### COMPATIBLE FASTENER MATERIALS FOR USE WITH TREX

Substrate Material	Carbon Steel w/ 1000 hr. Corrosion-Resistant Coating	Stainless Steel: 410 Series or 1.4003/1.4006	Stainless Steel: 300 Series or 1.4301/1.4401/1.4567
Exterior Grade Natural or Treated Timber	Yes***	Yes	Yes**
Plastic or Fiberglass Composites	Yes	Yes	Yes
Aluminum	No	No	Yes
Steel	No	Yes*	Yes#

\*Trex Elevations Universal Hidden Fastener are approved

\*\*Trex Universal Hidden Fasteners are approved

# Trex Universal Hidden Fasteners for Aluminum Framing are approved

\*\*\*See Trex recommended fasteners for listing of approved decking screws

This guide is for recommended use of fasteners for use with Trex decking. Not all sub-structure materials fall under these categories. In the case of any unique substrate composition of materials, or proprietary composites, consult the substrate manufacturer for recommendations of applicable fasteners.

		Transcend <sup>®</sup>	Enhance
RECOMMENDED FASTENERS	DECKING-HIDDEN FASTENERS		
	Trex Hideaway <sup>®</sup> Universal Hidden Fastener/Trex Elevations Universal Hidden Fastener	X	X
	FastenMaster <sup>®</sup> TrapEase 3 Ultimate Composite Deck Screw	X	X
	Cortex <sup>®</sup> Concealed Fasteners	X	
RECOMMENDED FASTENERS	FASCIA*		
	Starborn <sup>®</sup> Deckfast <sup>®</sup> Fascia System – Epoxy Coated* and Headcote <sup>®</sup> Stainless	X	X
	SplitStop <sup>™</sup> Fascia Screws (uses SplitStop <sup>™</sup> Fascia Bit)	X	X

Fascia system screws listed above **can only be used with composite fascia profiles**, and cannot be used with standard thickness decking boards used as fascia. Use stainless steel screws near water applications.

If any condition occurs which is attributable to the use of non-recommended fasteners, such condition shall not be covered under Trex's Limited Warranty.

FastenMaster<sup>®</sup>, TrapEase<sup>®</sup> 3, and Cortex<sup>®</sup> are registered trademarks of OMG, Inc.

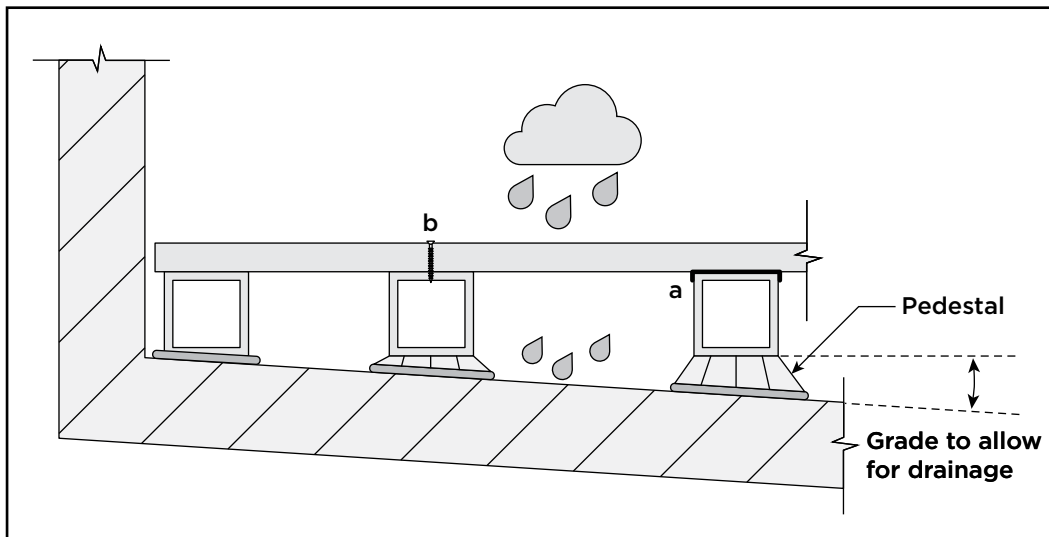
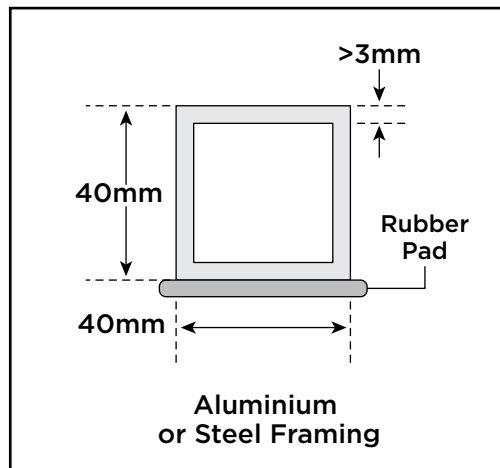
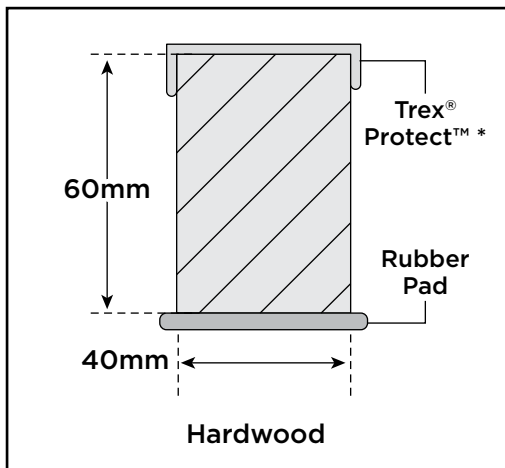
DeckFast<sup>®</sup> Fascia System screws are registered trademarks of Starborn Industries Inc.

SplitStop<sup>™</sup> fascia screws are a registered trademark of Titan Metal Werks, Inc.

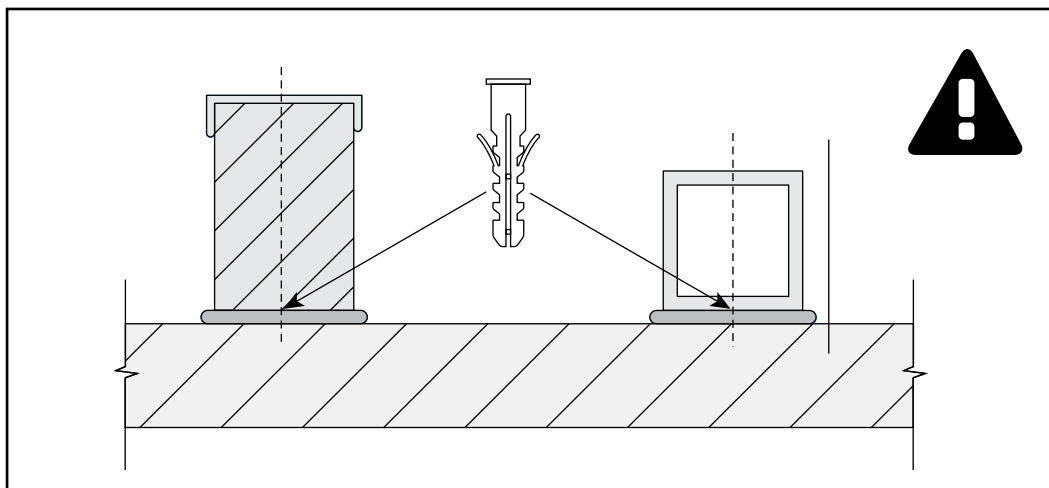
Trex recommends the use of two screws per joist.

All recommended screws are designed to be installed flush with decking surface; DO NOT countersink screws.

Use recommended stainless steel screws in any areas near bodies of saltwater.

**TIP:**

Friction tape (a) or screws (b) reduce the sliding of the decking boards when using Trex Universal Fasteners.

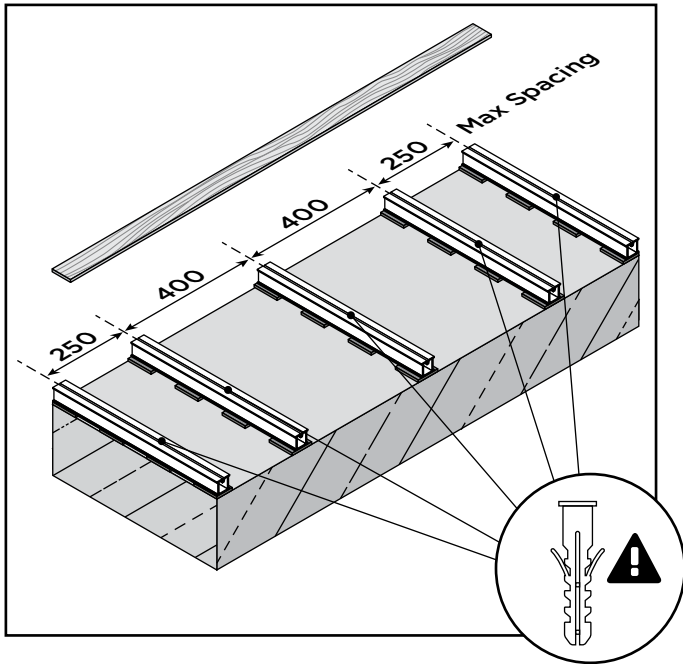
**IMPORTANT:**

ALL FRAMING MUST BE ATTACHED TO SUBSTRUCTURE USING PROPER FASTENERS. IN THE CASE OF ROOFTOP APPLICATIONS. SEE FOLLOWING PAGES FOR THESE APPLICATIONS.

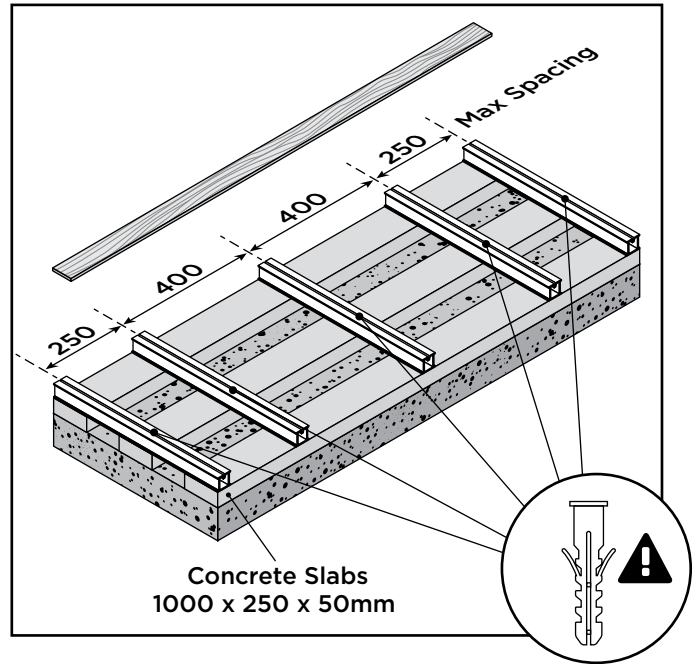
**NOTES:**

- » All dimensions listed below are in millimeters (mm).
- » Loose stones and slabs are **not** suitable as a base for framing substructure.
- » \*Trex® Protect™ Joist and Beam Tape can be applied to protect timber framing. See [www.trexprotect.com](http://www.trexprotect.com) for more details.

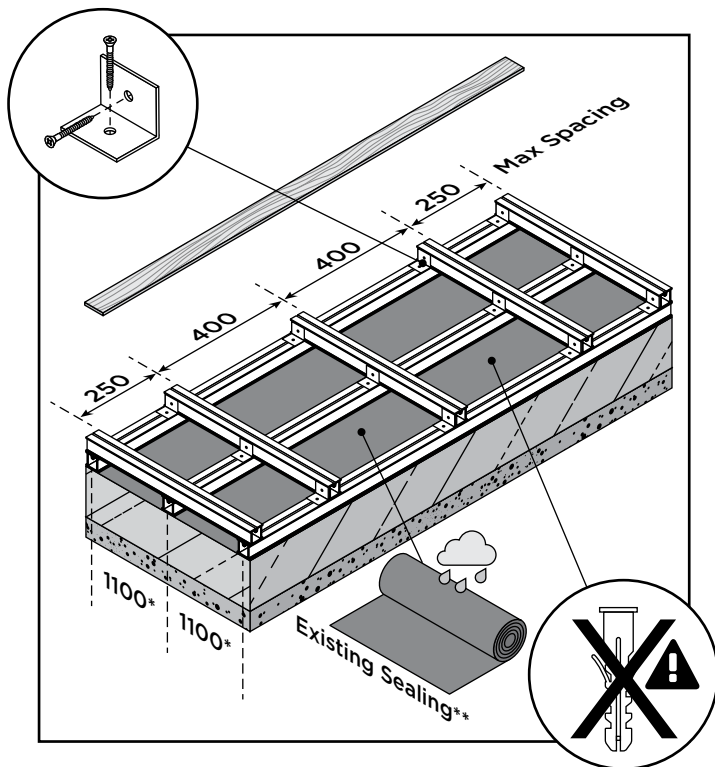
Example 1



Example 2



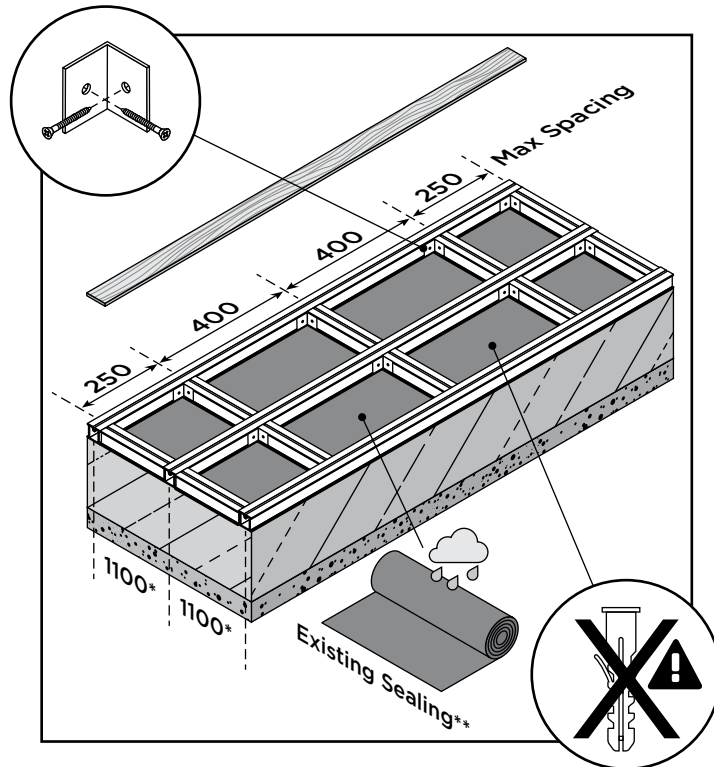
Example 3



\* Reinforcement or counter spacing depends on the supplier and the aluminum dimensions.

\*\*Existing sealing web, e.g. rooftop terraces.  
**Do not screw through!**

Example 4



\* Reinforcement or counter spacing depends on the supplier and the aluminum dimensions.

\*\*Existing sealing web, e.g. rooftop terraces.  
**Do not screw through!**

## Gapping and Overhang Requirements

You must gap Trex decking both end-to-end and width-to-width. Gapping is necessary for drainage and the slight thermal expansion and contraction of Trex decking boards. Gapping also allows for shrinkage of the timber joist system.

- » **ALWAYS** follow Trex-recommended gapping guidelines.
- » Maximum allowable perpendicular overhang for all Trex decking is 13 mm.
- » All decks require air circulation to keep them dry and looking good. To improve air flow, leave openings under the decking or increase gapping to 10 mm.
- » See additional pages for detailed gapping requirements.

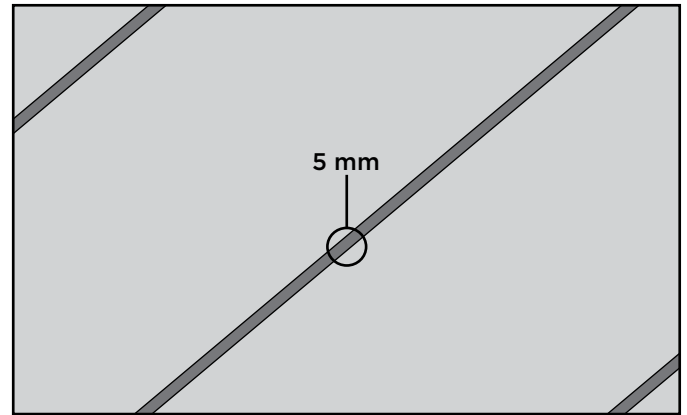
Width-to-Width Gap
5 mm

End-to-End/End-to-Width and Abutting Gap		
	End-to-End/ End-to-Width	Abutting Gap
Above 4.5°C*	3 mm	6 mm
Below 4.5°C*	5 mm	13 mm

\*Temperature at installation.

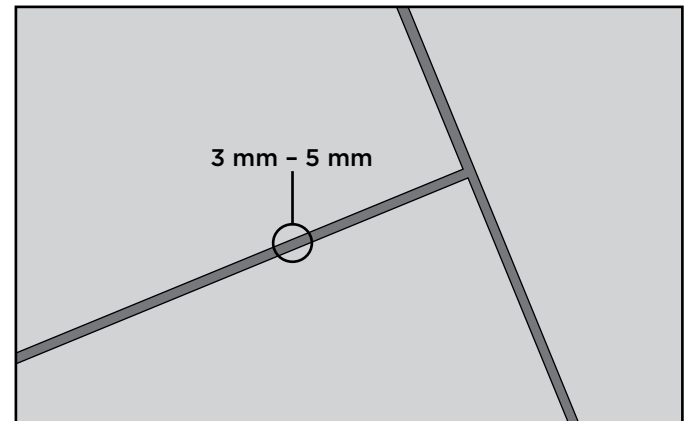
When you use the recommended hidden fasteners, the placement of the hidden fastener establishes the designated gap size.

When installing fascia, gapping rules must apply.



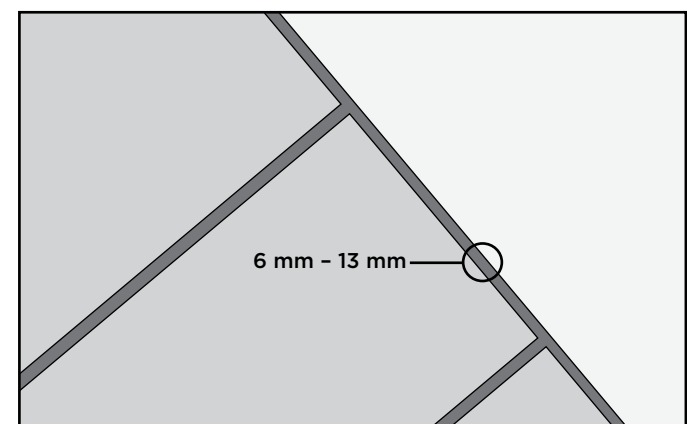
### Width-to-Width

The minimum required width-to-width gapping is 5 mm. This is allowed for both hot and cold weather installations. For docks and heavily timbered areas, Trex recommends a 10 mm gap. No gapping should ever exceed 13 mm.



### End-to-End/End-to-Width

Gap Trex decking end-to-end, based upon the temperature at installation.



### Abutting Solid Objects

When decking is abutting a wall, you must also gap it 6-13 mm depending on the temperature at installation.

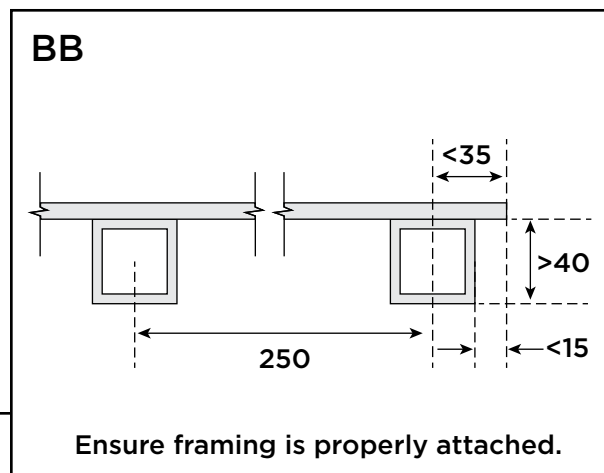
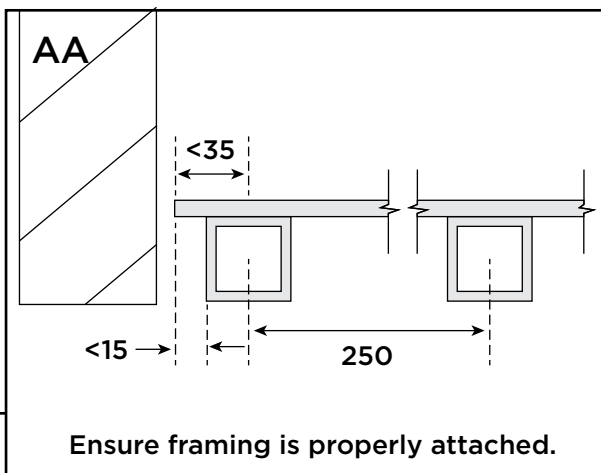
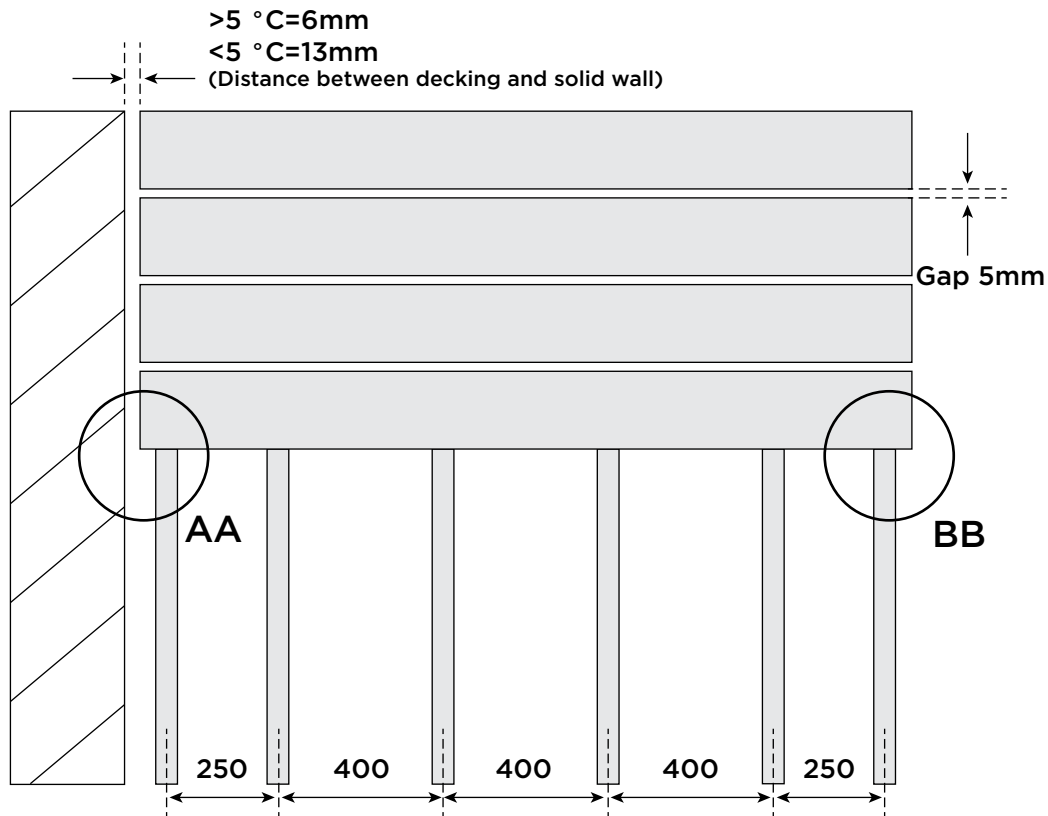
# TREX DECKING INSTALLATION REQUIREMENTS AND EXAMPLES

**NOTE:** For questions on sub-constructions, please contact a Trex representative.

**NOTES:**

- » Gapping rules are required when installing Trex decking. Refer to examples for details.
  - depending on load requirements and/or if installing decking on an angle, framing spacing may need to be adjusted.
- » When using recommended screws to attach Trex decking, 2 screws are required at every framing member.
- » Depending on type of framing being used, different types of compatible decking fasteners must be used. Refer to chart on page 9 for compatible fasteners based on framing material being used.
- » Trex decking can be installed with many different designs and patterns. Diagonal installation, inlays, and many other variants are possible. Contact a Trex representative for more details. Included below are some basic examples.

## A. Parallel Board Installation

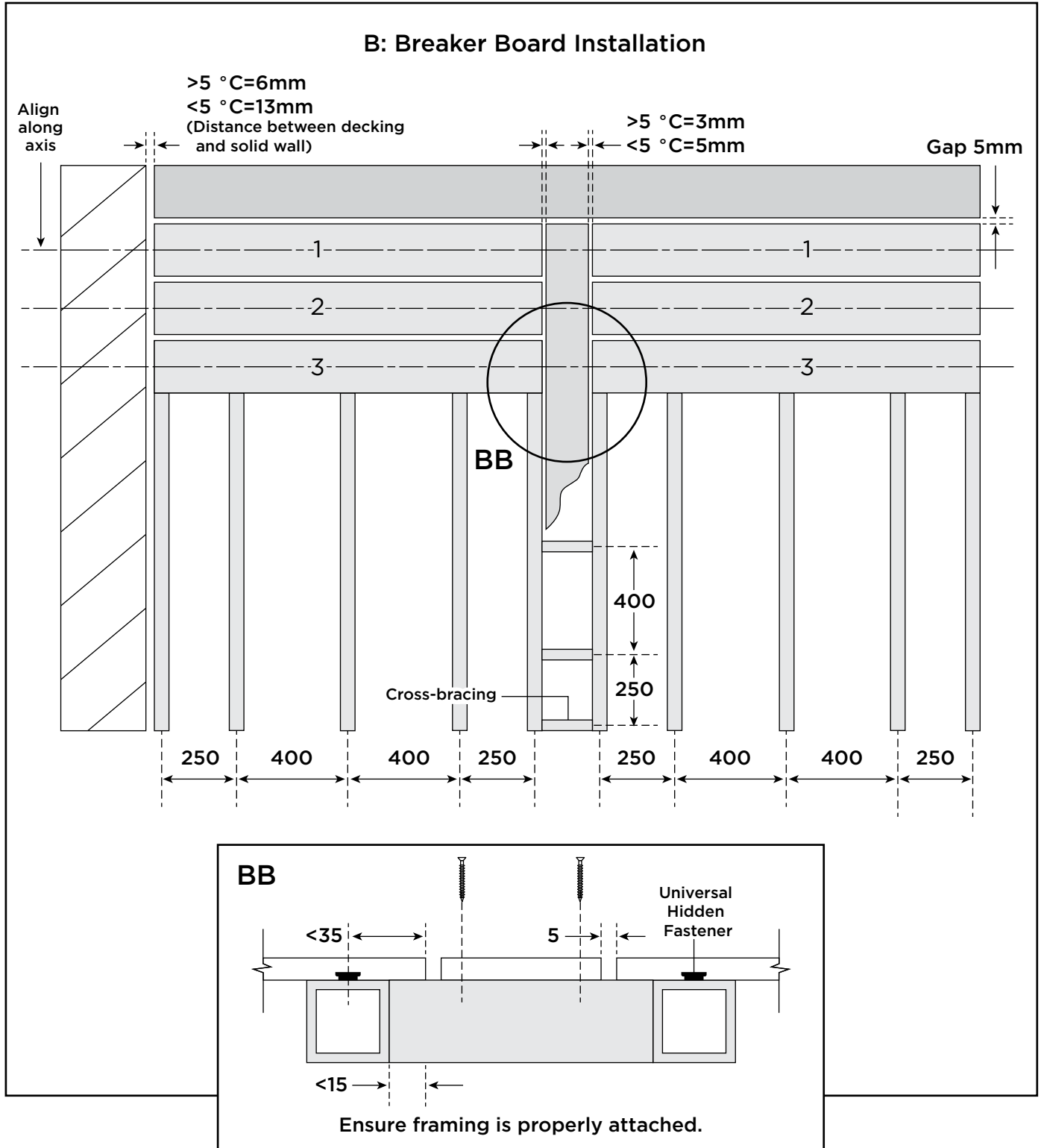


# TREX DECKING INSTALLATION REQUIREMENTS AND EXAMPLES/CONTINUED

**NOTES:**

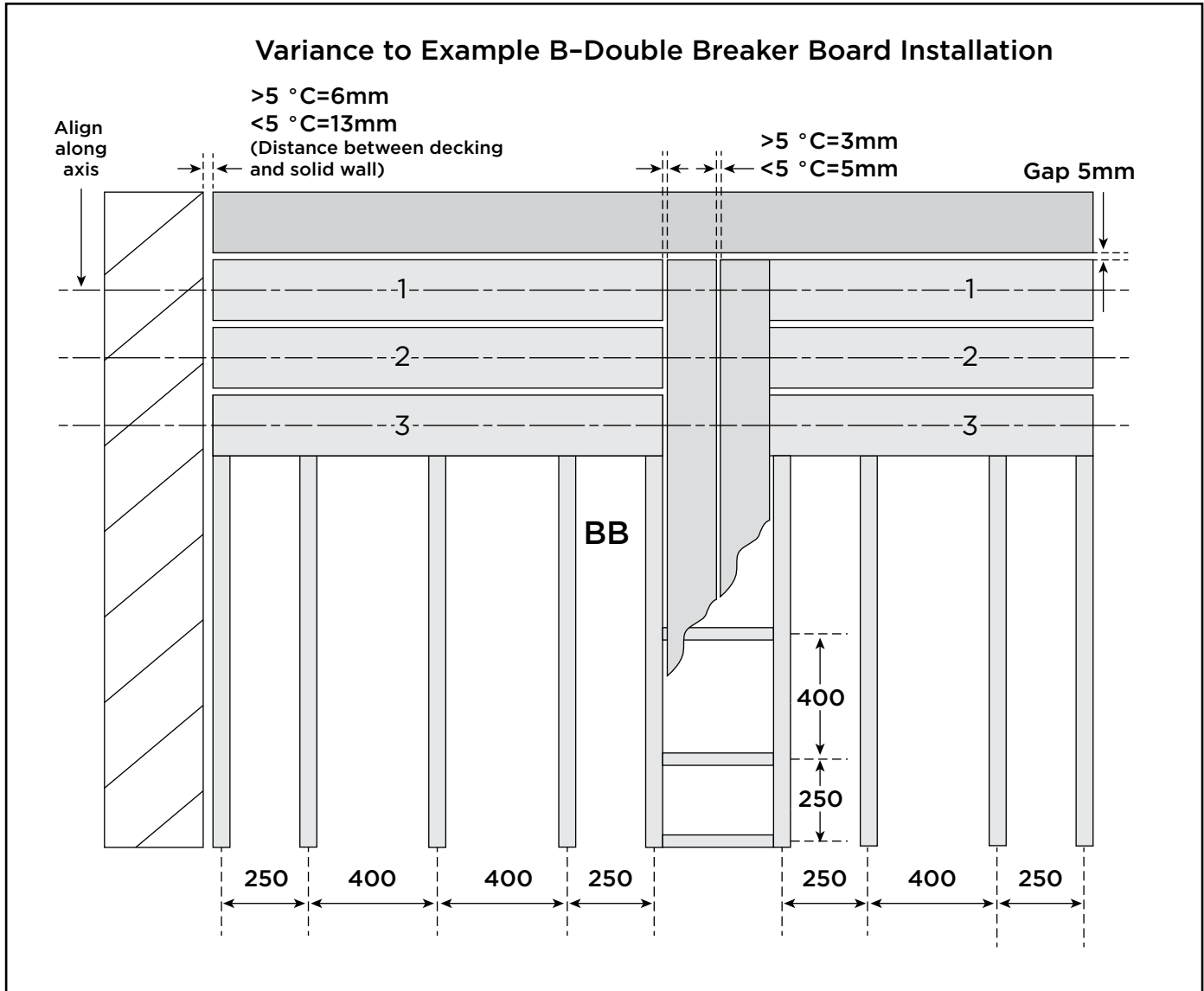
- » To obtain a continuous joint pattern, boards must be averaged to their longitudinal axes.
- » Measure boards every fifth board (or earlier) to ensure both boards are properly aligned.

**TIP:** Proper planning can reduce scrap and waste.



# TREX DECKING INSTALLATION REQUIREMENTS AND EXAMPLES/CONTINUED

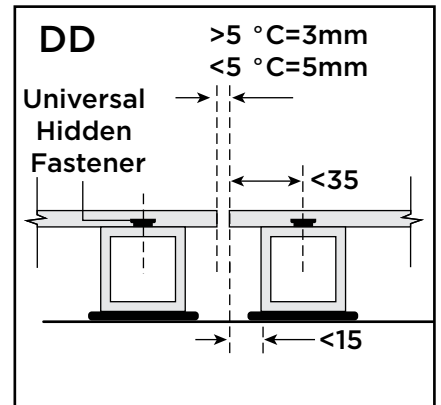
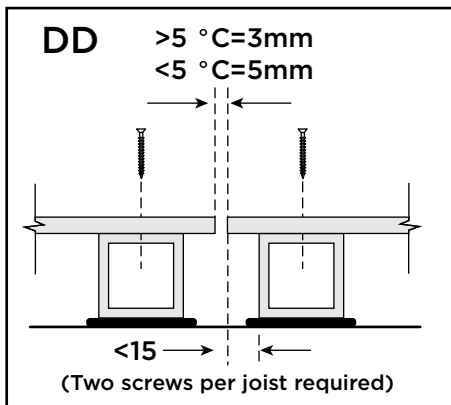
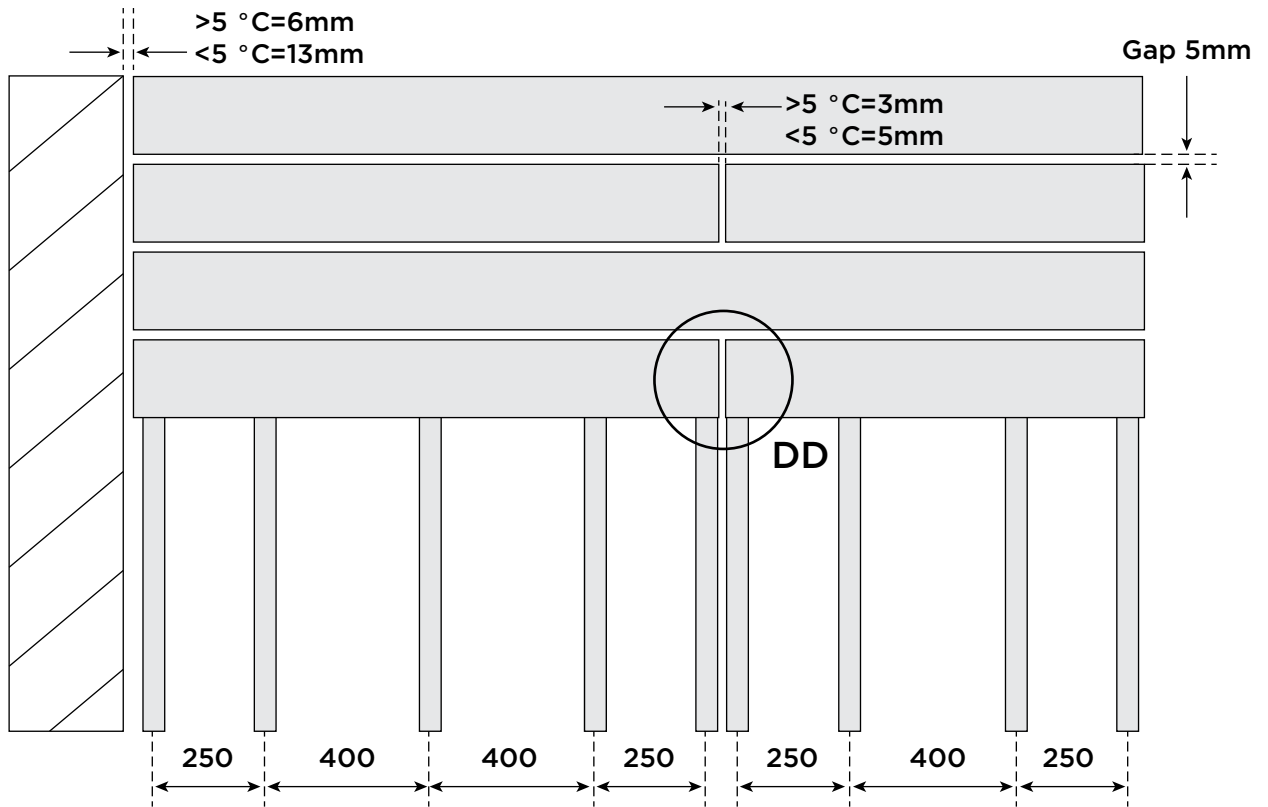
To obtain a continuous joint pattern, boards must be averaged to their longitudinal axes!



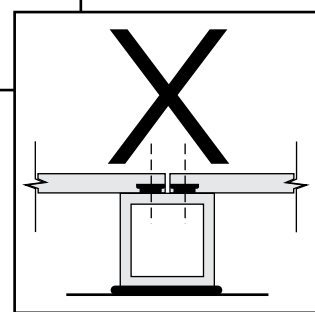
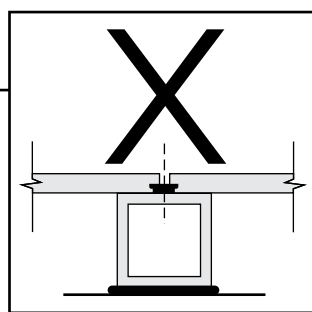
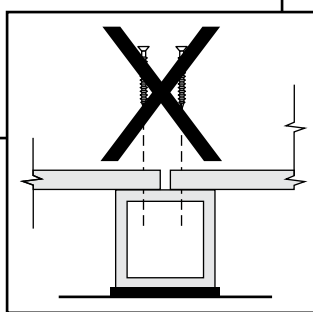
# TREX DECKING INSTALLATION REQUIREMENTS AND EXAMPLES/CONTINUED

**IMPORTANT:** Each board end must rest on a separate sub-framing member and be attached with two universal fasteners or screws each! All sub-framing must be attached to the ground or secured by appropriate aluminum frame brackets as per previous examples.

## C. Abutted Board Installation



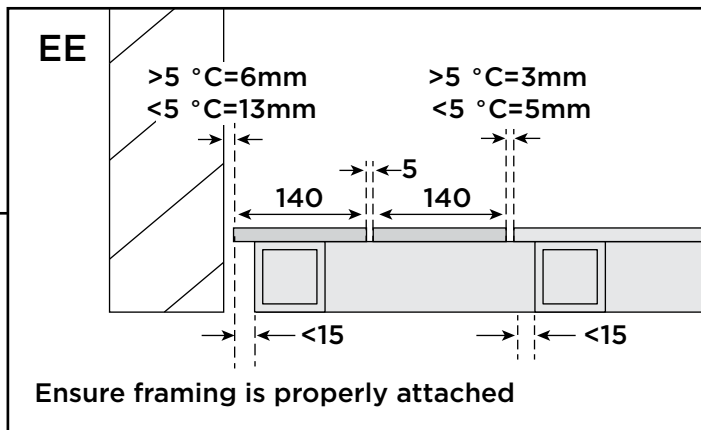
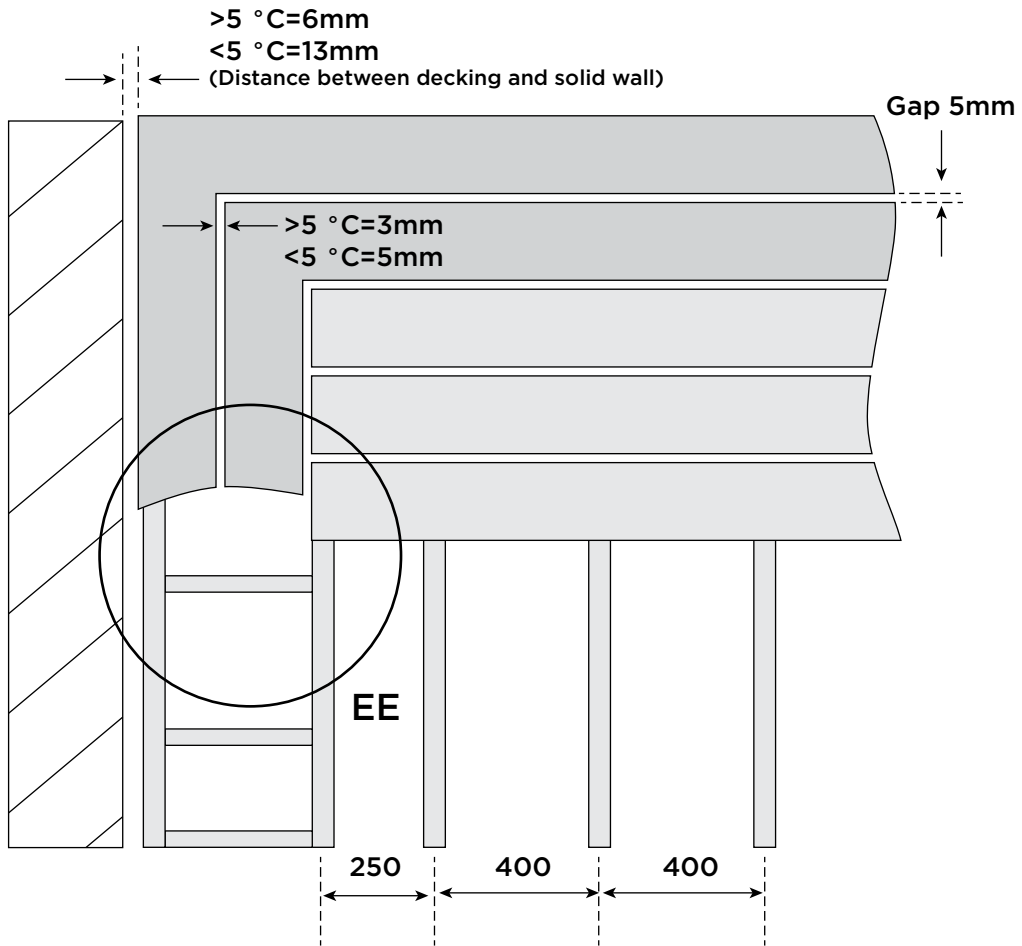
Ensure framing is properly attached



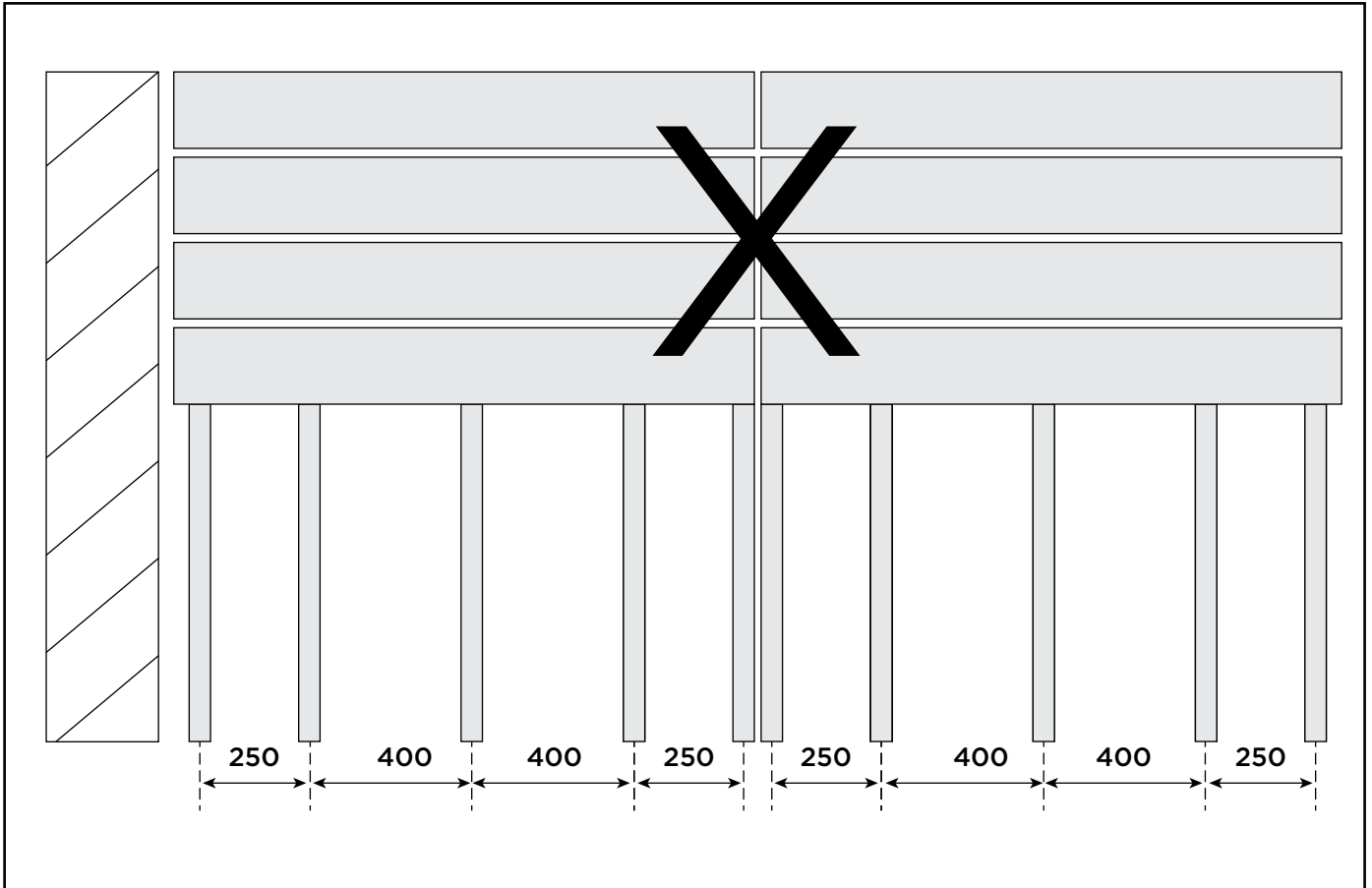
Ensure framing is properly attached



D. Frame Edging Installation



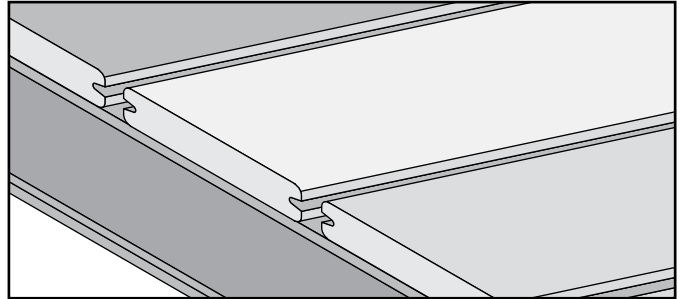
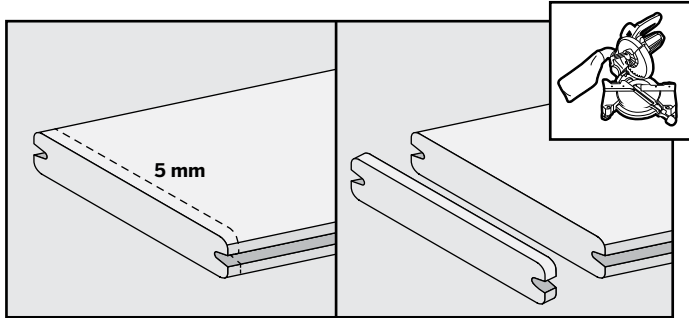
Installing boards in a parallel abutting design is not recommended. Optical restrictions of the abutted joints can occur even after correct installation (see example B).



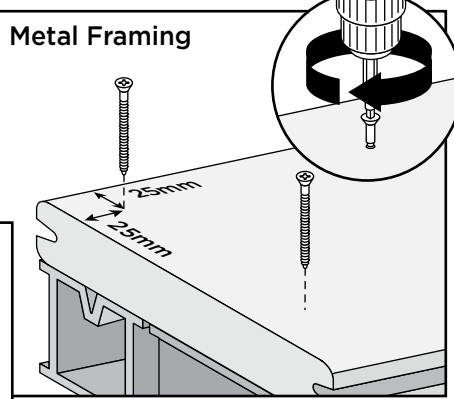
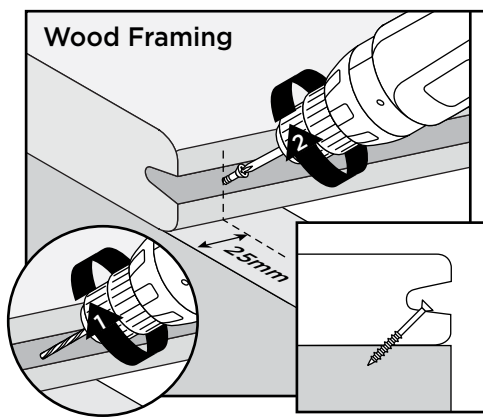
# IMPORTANT NOTES BEFORE INSTALLING TREX DECKING

**IMPORTANT:** You MUST clean cut boards on both ends (min. 5 mm).

To ensure an appealing mix of color tones, mix and match all boards prior to installation. (See inside cover for additional details.)



## Installation Tips for Large Temperature Shifts within 24-hour Period



For timber framing, and if using Trex Universal Hidden Fasteners, pre-drill and toenail an approved screw at an angle in groove at both ends 25mm from board end and center of each board.

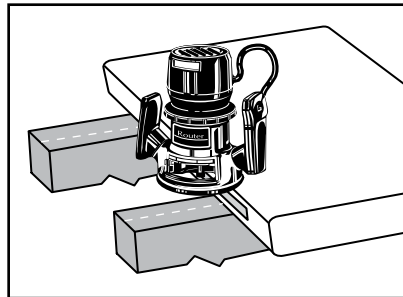
For metal framing, use two approved decking screws at board ends.

## Routing Square Edge Boards for Trex Hideaway Hidden Fasteners

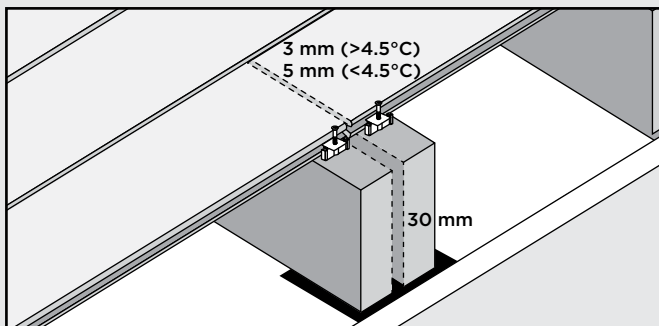
**NOTE:** All Trex square edge profiles can be routed.

Using a Trex router bit with standard router:

1. Rout from bottom side of board.
2. Rout the entire length of the board, or at every intersection where board is over support joists.

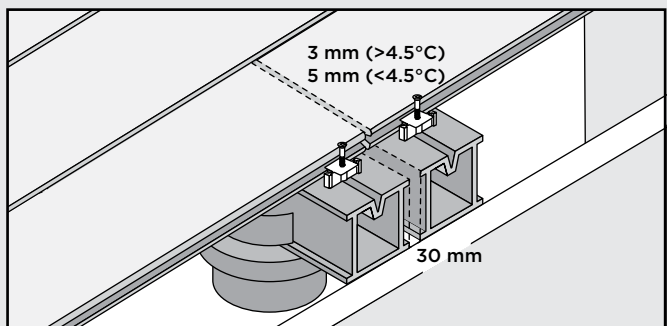


## Abutted Board Attachment Requirements



**NOTE:** Optional - Gap joist framing 3mm - 6mm to allow for water drainage.

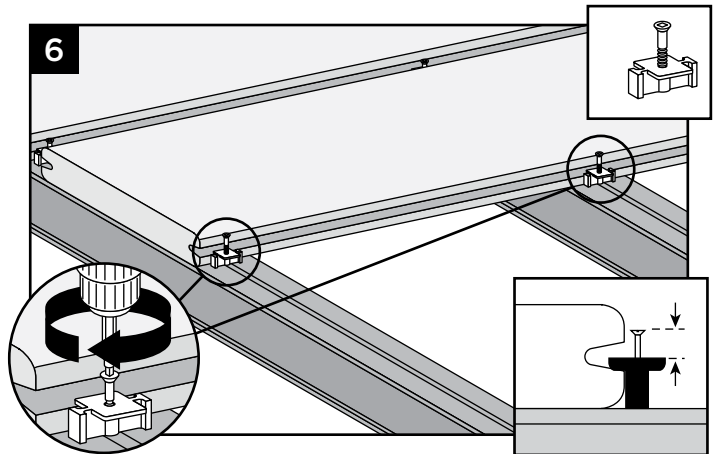
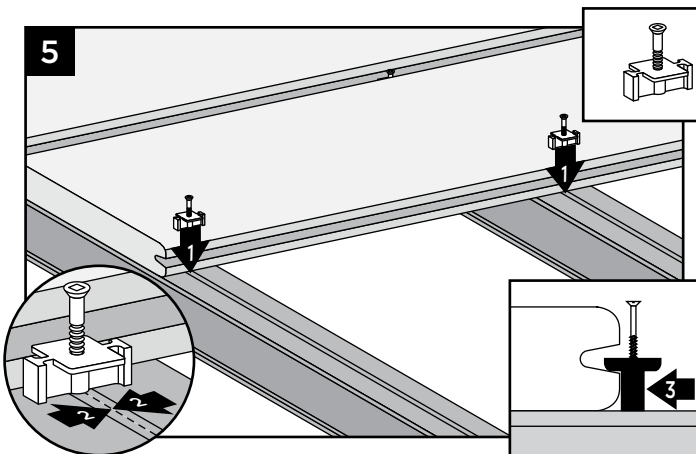
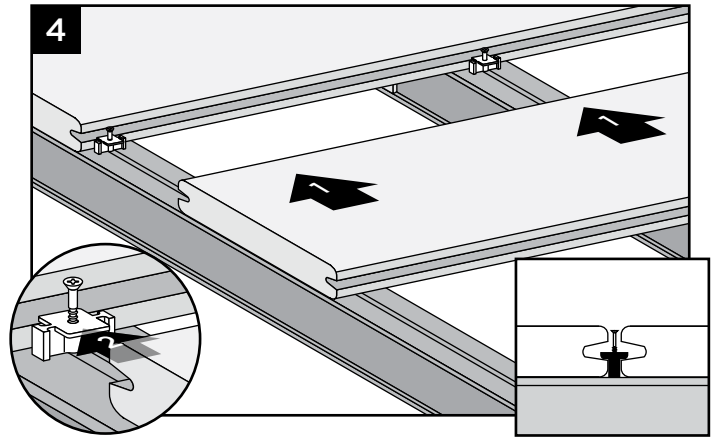
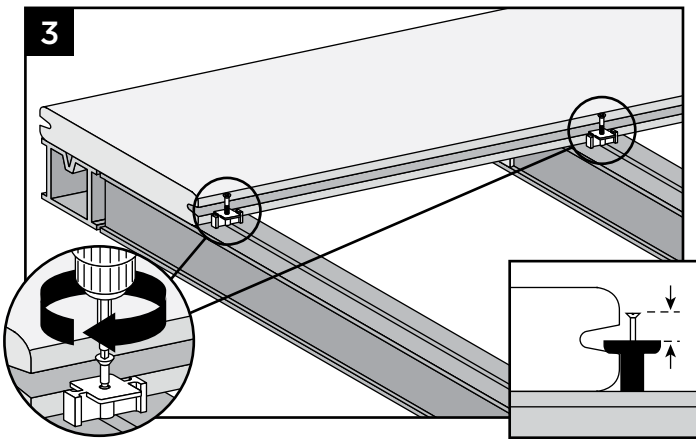
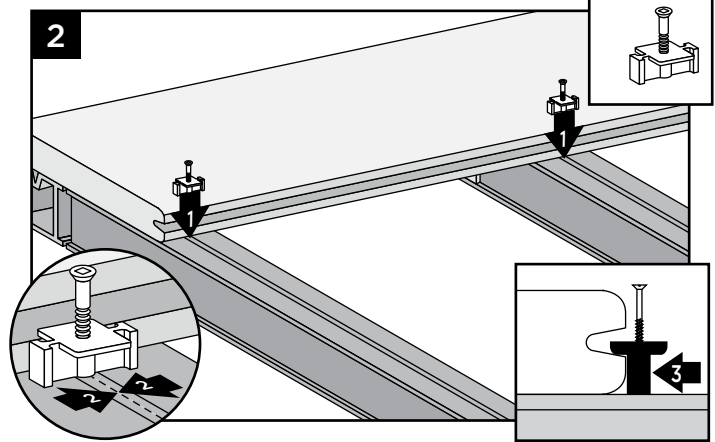
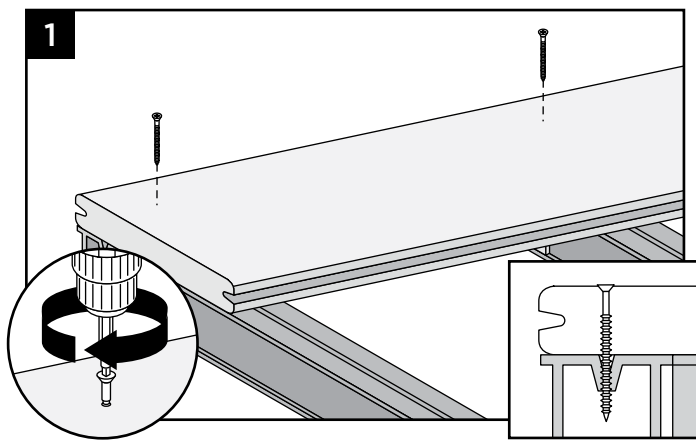
## Metal Framing



**NOTE:** Hidden Fasteners **MUST** be used at every joist.

**NOTE:** Use a drill (with adjustable clutch and torque) and adjust these settings if necessary to ensure screw is seated correctly in fastener. **DO NOT** countersink the screw head into the fastener. Screw head should be flush with the top of the fastener.

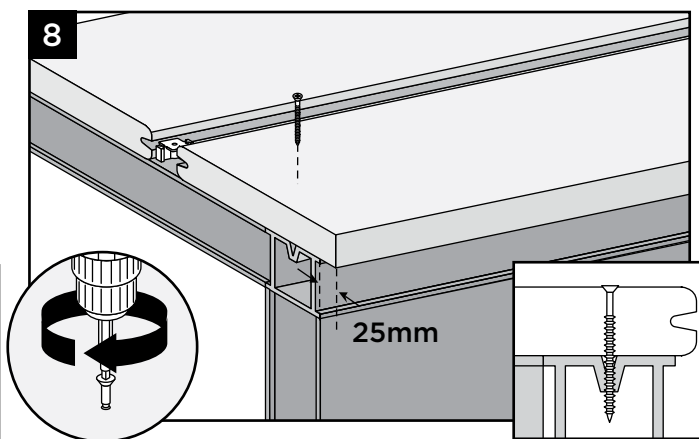
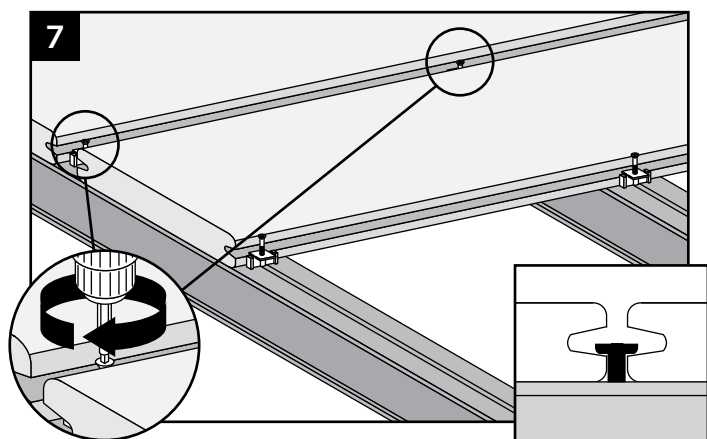
# INSTALLING TREX DECKBOARDS - METAL FRAMING



**TIP:** Use a piece of decking approximately 60 cm long to fix the Trex universal fastener for pressing two fasteners at the same time. This aid facilitates the correct assembly of the Universal fastener.

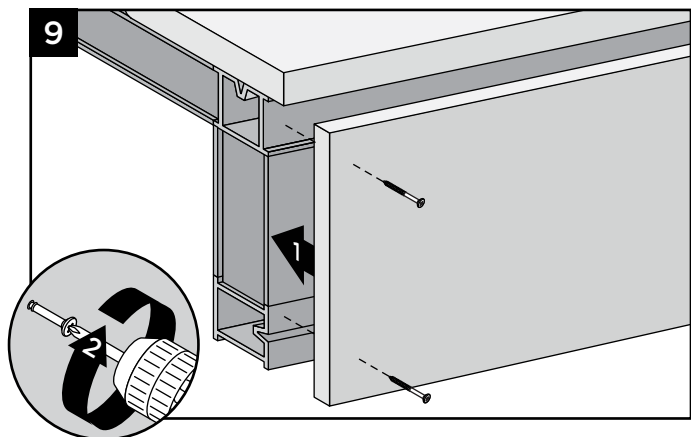
## INSTALLING TREX DECKBOARDS - METAL FRAMING/CONTINUED

### Installing Last Deck Board (Square-Edge Board Recommended)



Rout one side of square-edge board to use with hidden fasteners.

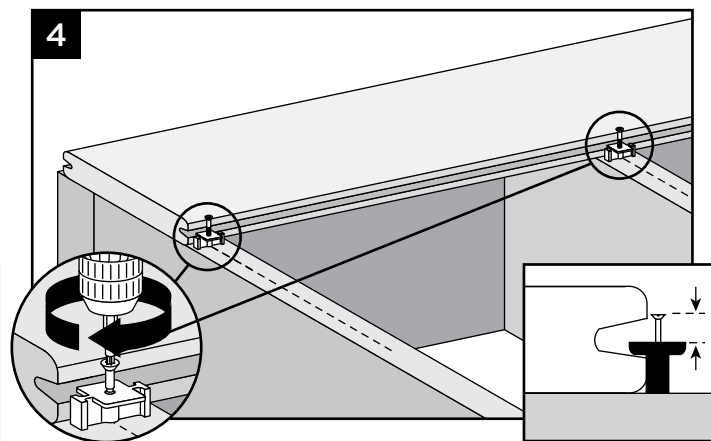
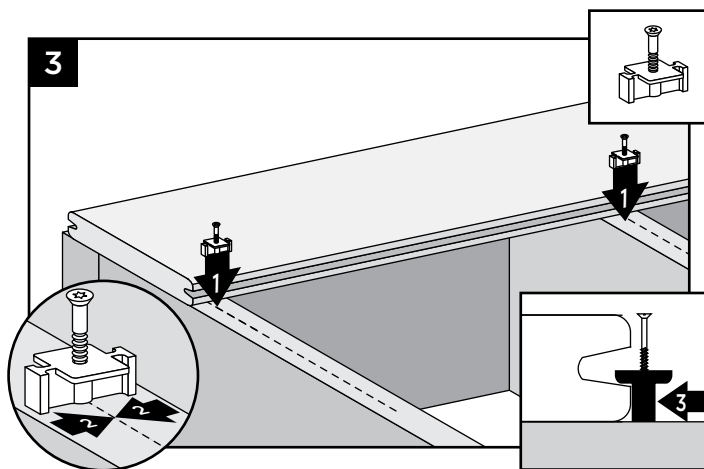
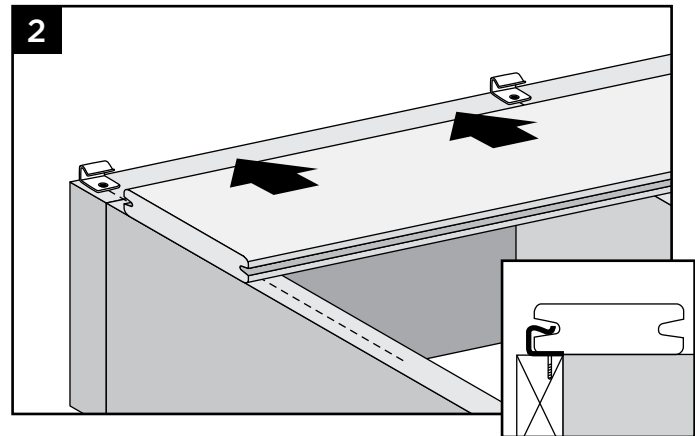
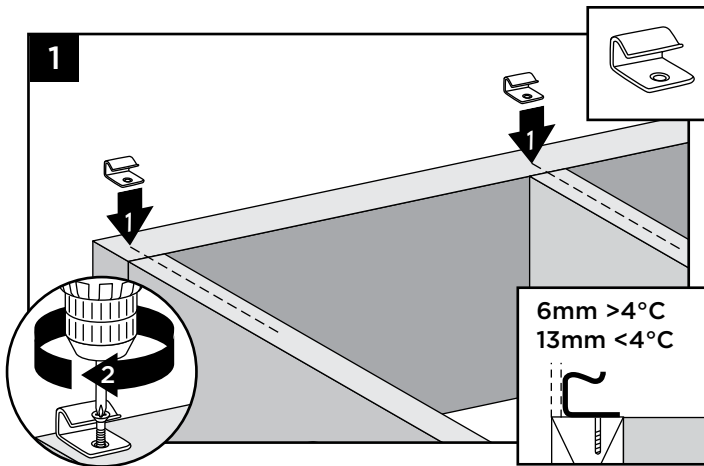
### Optional Fascia Installatio



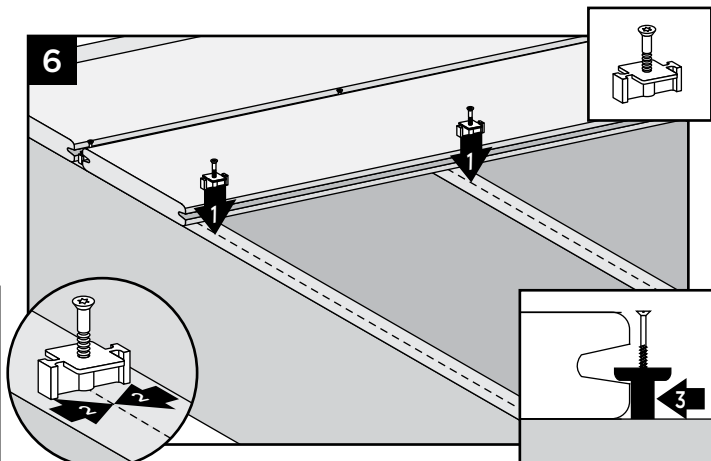
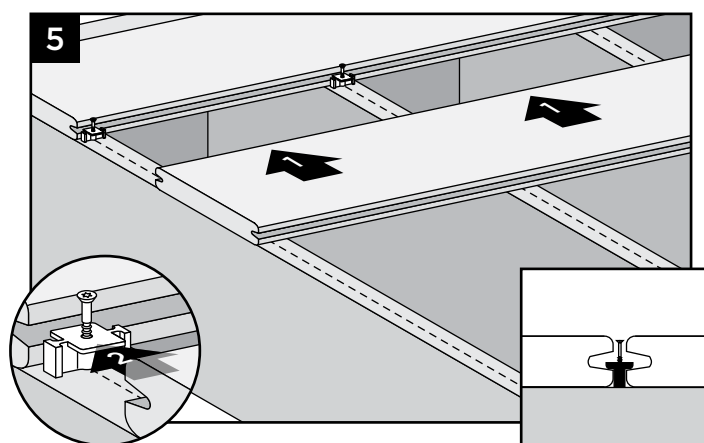
**NOTE:** Fascia wider than 60mm will require more detailed fastener requirements. Fascia boards are not allowed to carry loads from decking. Contact a Trex representative for more detail.

**NOTE:** Construction methods are always improving. Please refer to [www.trex.com](http://www.trex.com) (and your country) for the most up-to-date installation requirements.

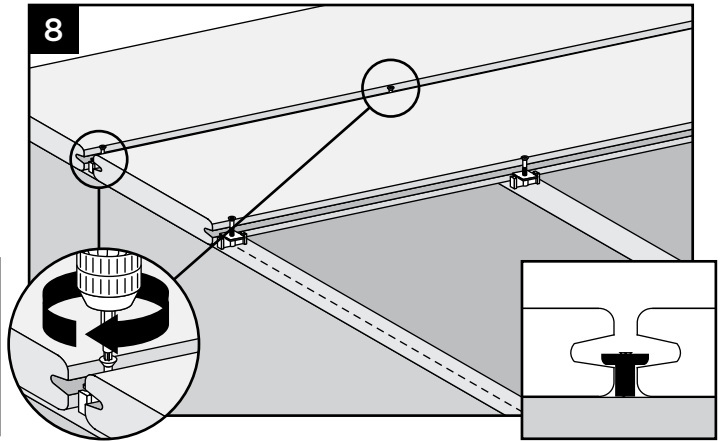
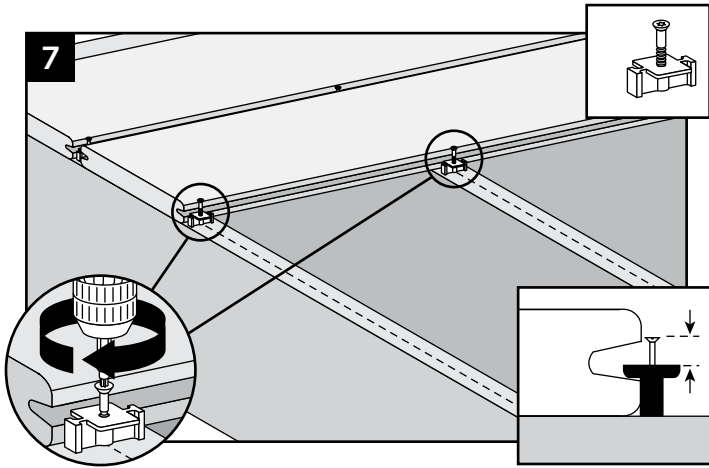
# INSTALLING TREX DECKBOARDS - TIMBER FRAMING



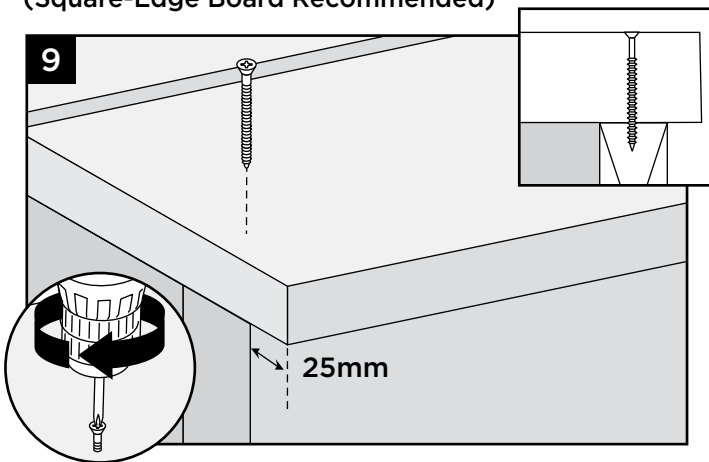
**NOTE:** Use a piece of decking approx. 60 cm long to fix the Trex universal fastener for pressing two fasteners at the same time. This aid facilitates the correct assembly of the Universal fastener.



## INSTALLING TREX DECKBOARDS - TIMBER FRAMING/continued

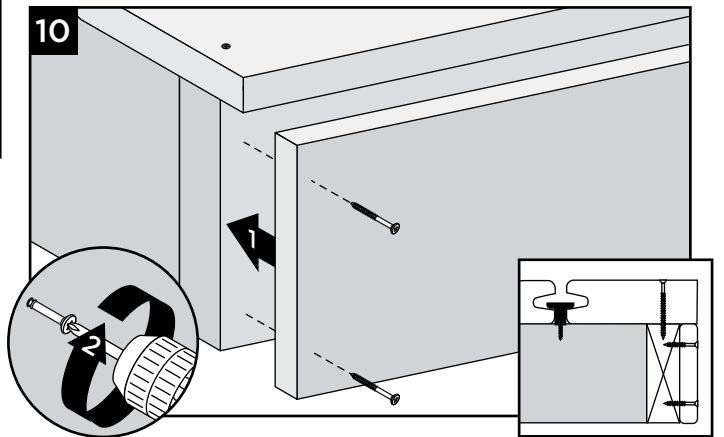


### Installing Last Deck Board (Square-Edge Board Recommended)



Route one side of square-edge board to use with hidden fasteners.

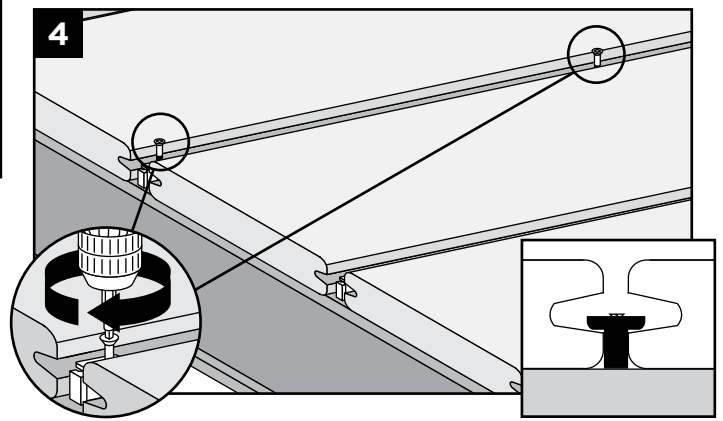
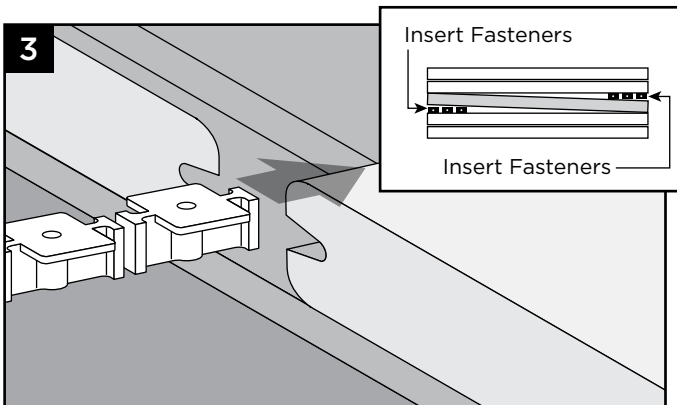
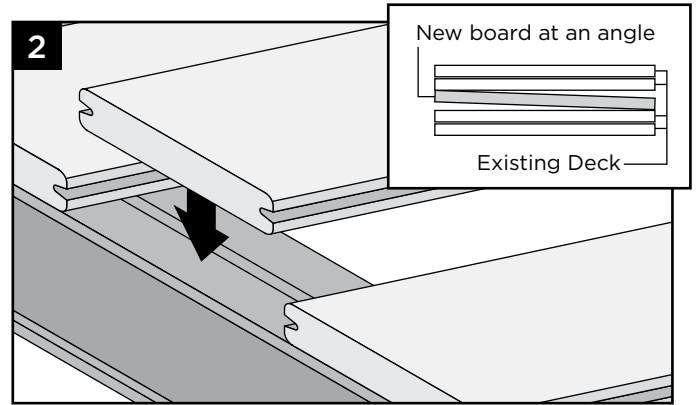
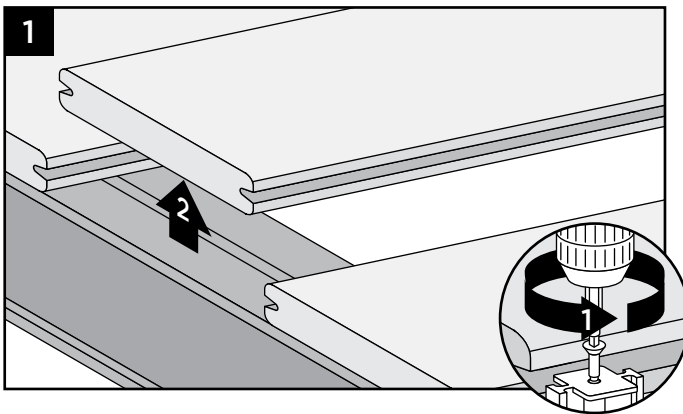
**NOTE:** There are screws for edge mounting available in the same color as the decking. In addition, there are color matched plugs and screws also available for Transcend decking.



Fascia screws supplied by installer (1 x 8 fascia shown).

**NOTE:** Contact a Trex representative for more detail.

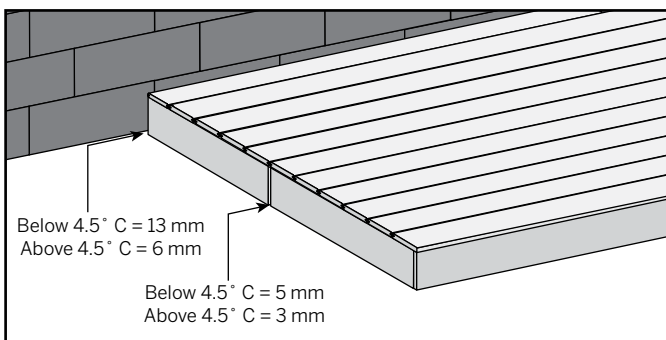
# REPLACING TREX BOARDS INSTALLED WITH TREX HIDEAWAY UNIVERSAL FASTENERS



## INSTALLING TREX FASCIA AND GAPPING

Trex Fascia, utilized around the perimeter of a deck, must be gapped with the same requirements as Trex decking to allow for air flow and expansion/contraction of the fascia.

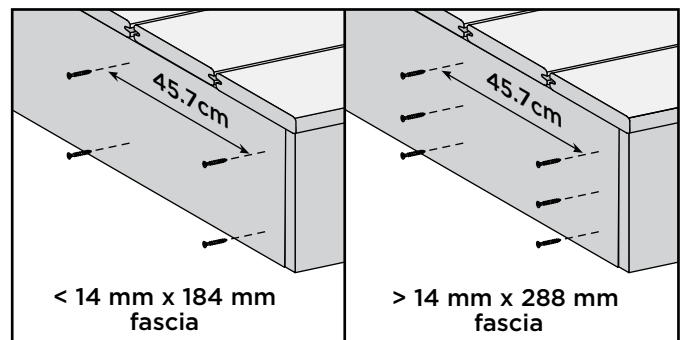
The fascia gapping requirements are as follows:



### When Using Approved Fascia Fasteners:

**NOTE:** The fasteners listed below can only be used with 14 mm x 184 mm or 14 mm x 288 mm fascia product, and cannot be used with decking product that is being used as fascia trim or stair risers.

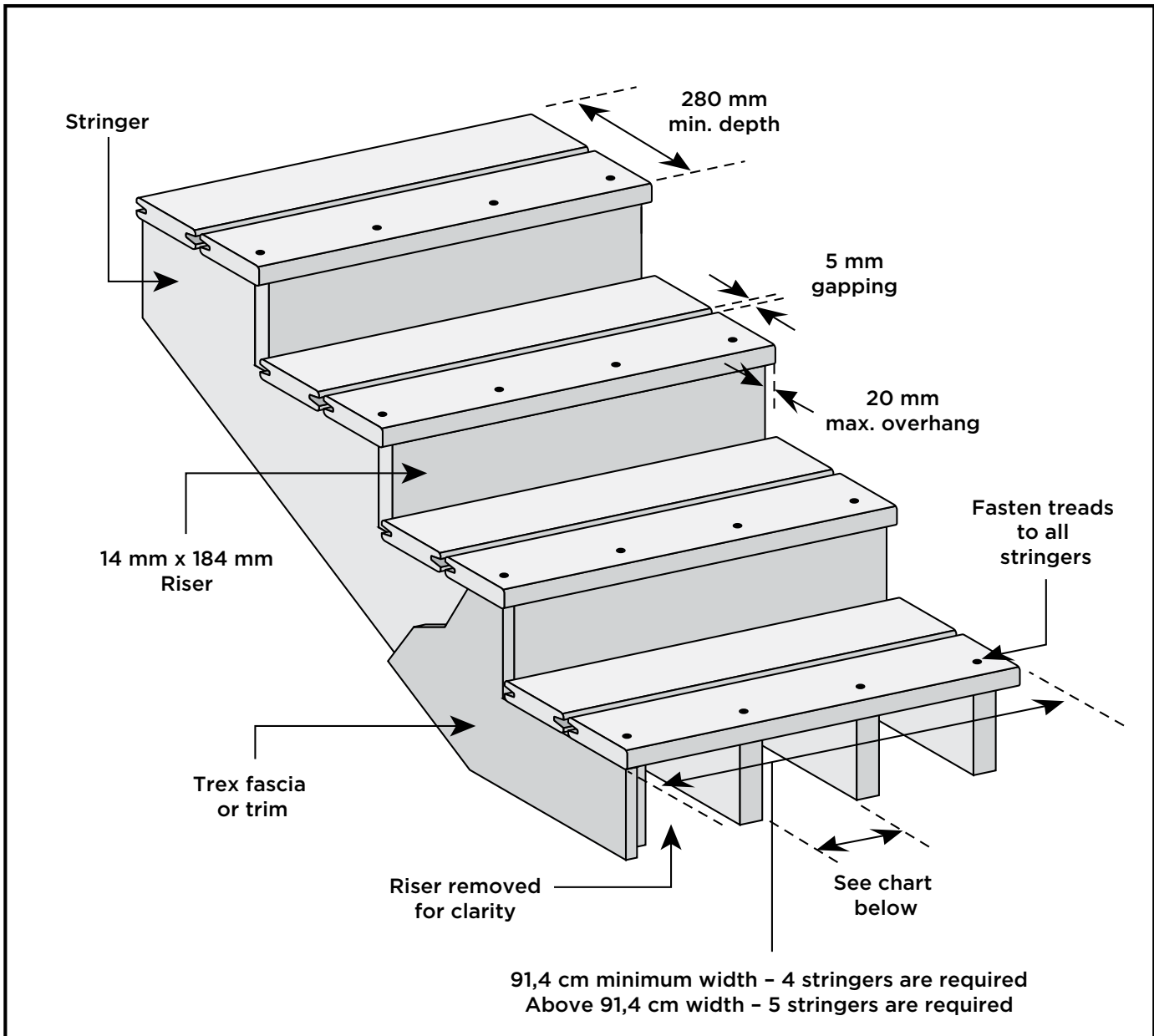
Trex recommends the use of Starborn® Deckfast® Fascia System or SplitStop™ Fascia Screws.





# SPANNING REQUIREMENTS FOR TREX STAIRS

**NOTE:** Shown with timber framing.



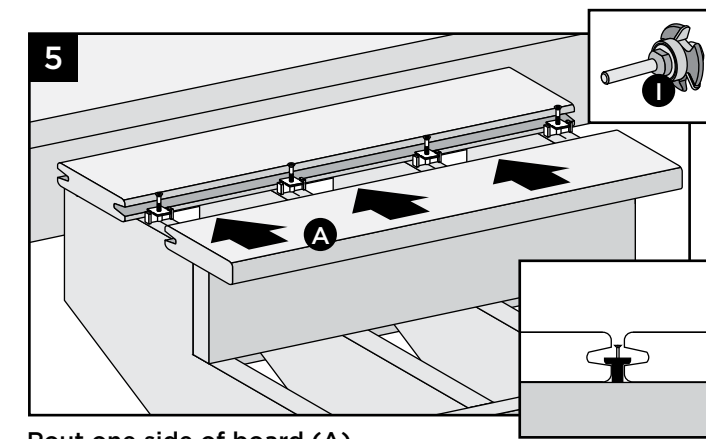
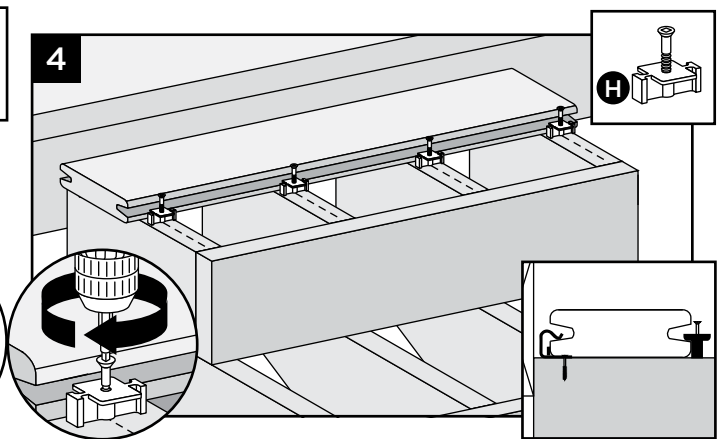
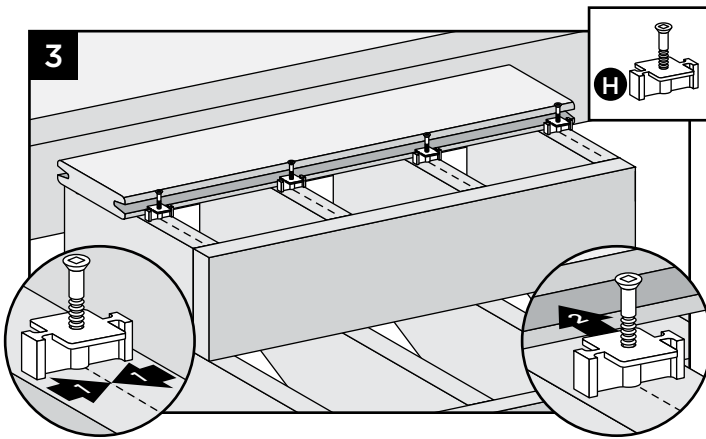
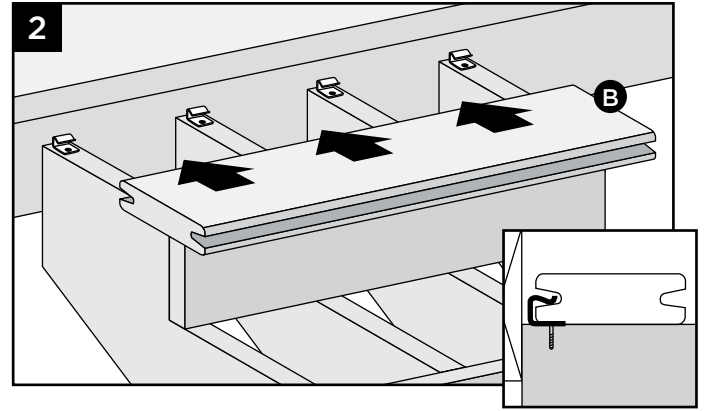
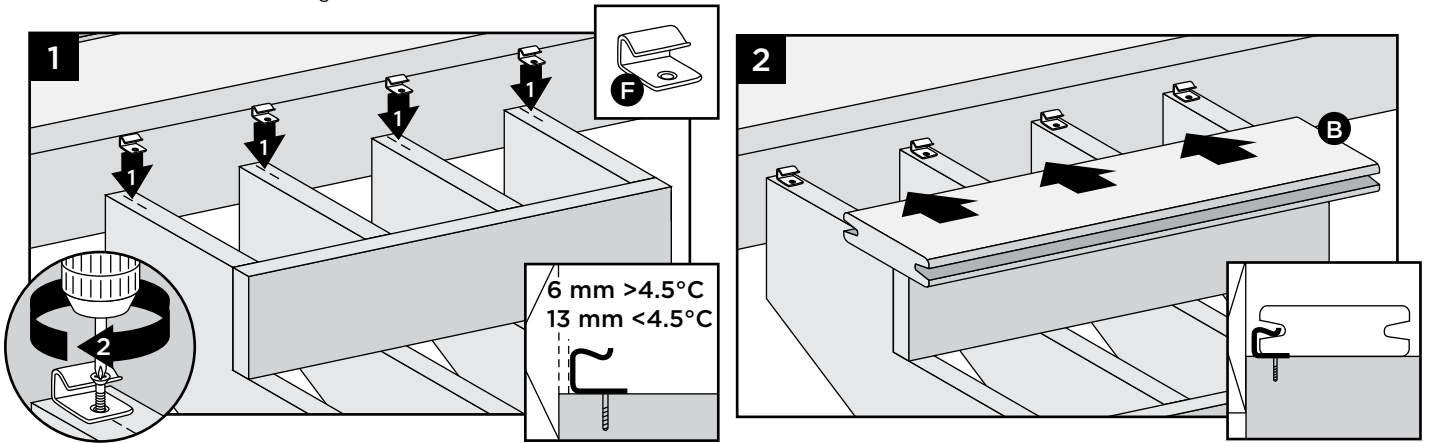
## MAXIMUM SPACING OF STAIR JOISTS (Center-to-Center)

Transcend 25 x 140 mm	30 cm
Enhance 25 x 140 mm	23 cm
Transcend 33 x 140 mm	30 cm

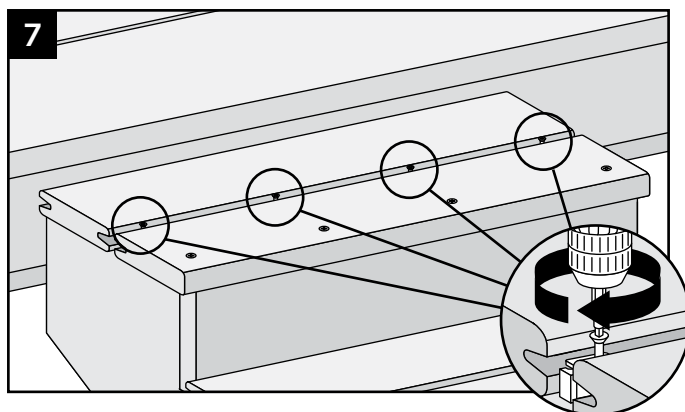
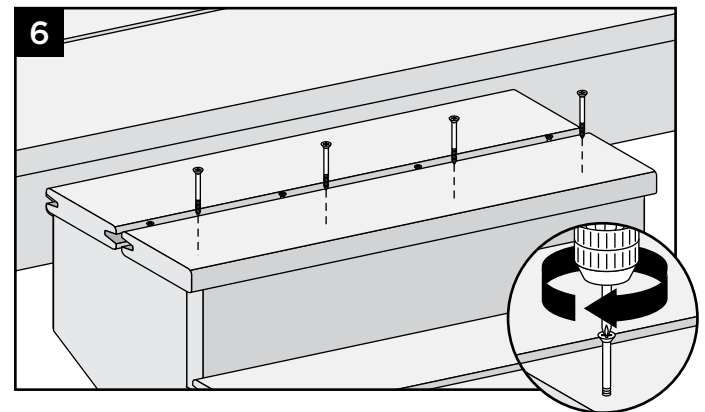
**NOTE:** Construction methods are always improving. Please refer to [www.trex.com](http://www.trex.com) (and your country) for the most up-to-date installation requirements.

# INSTALLING TREX STAIR TREADS INSTALLED WITH TREX HIDEAWAY HIDDEN FASTENING SYSTEMS

*NOTE: Use square-edge, composite decking boards, manually routed on required sides, to allow for use with hidden fasteners.  
NOTE: Shown with timber framing.*



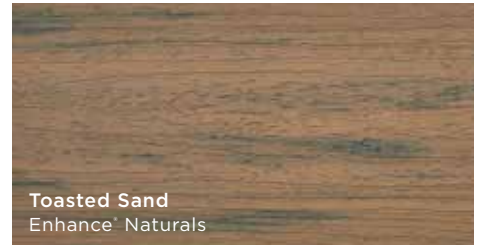
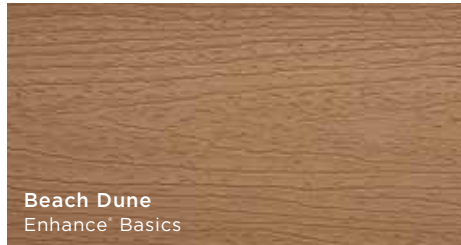
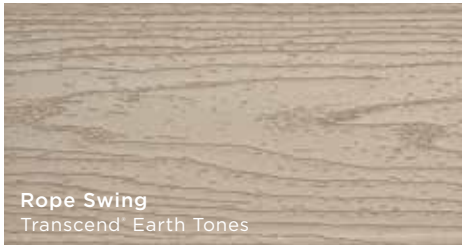
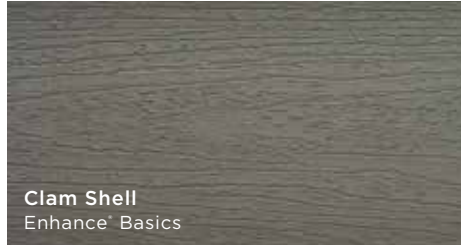
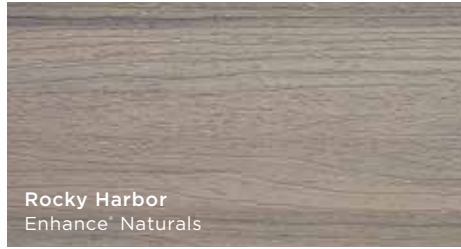
Rout one side of board (A).



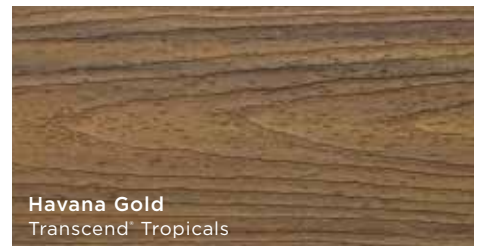
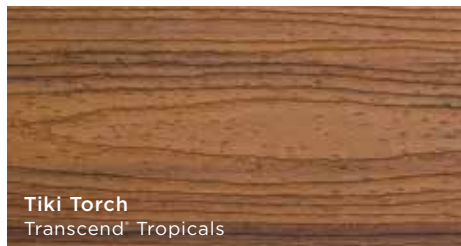
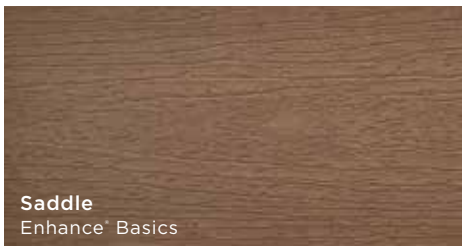
# DECKING COLOUR PALETTE

*NOTE: Check with local distributor for colour availability in your area.*

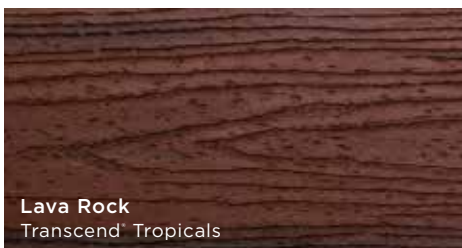
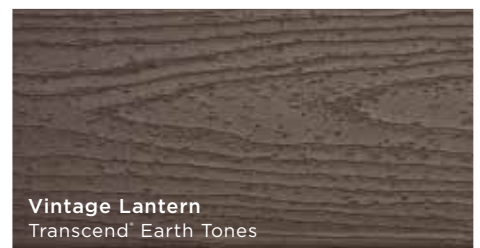
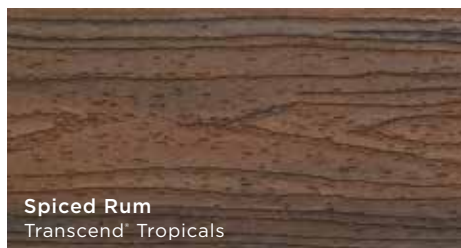
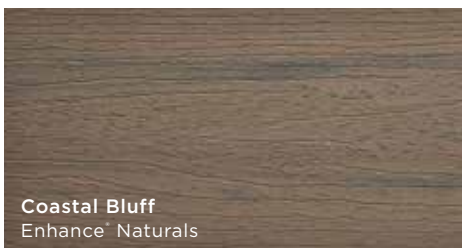
## GREYS



## BROWNS



## REDS





BACK  
decking: Transcend in Spiced Rum  
—  
FRONT  
decking: Transcend in Island Mist



The World's #1 Decking Brand®

FIND US ON



Visit [trex.com](http://trex.com) or call 1-800-BUY-TREX

© 2021 Trex Company, Inc. All rights reserved. Trex®, the Trex logo, Trex Transcend®, Trex Enhance®, Trex Signature®, Trex Hideaway®, Trex® Outdoor Lighting™, Trex Blade™, Trex® Outdoor Kitchens™, Trex® Spiral Stairs™, Trex® RainEscape®, Trex® Pergola™, TrexPro®, Trex® CustomCurve®, Trex® LatticeWorks™ and Trex® Cornhole™ are either federally registered trademarks, trademarks or trade dress of Trex Company, Inc., Winchester, Virginia or its licensees.

