

Issue Date: 12-01-2008
Revision Date: 03-19-2021
Renewal Date: 03-31-2022

DIVISION: 06 00 00 – WOOD, PLASTICS AND COMPOSITES
Section: 06 63 00 – Plastic Railings

REPORT HOLDER:
Trex® Company, Inc.
160 Exeter Drive
Winchester, VA 22603
(540) 542-6300
www.trex.com

REPORT SUBJECT:
Trex Transcend® Railing
Trex Select® Railing
Trex Enhance® Railing

1.0 SCOPE OF EVALUATION

1.1 This Research Report addresses compliance with the following Codes:

- 2021 and 2018 *International Building Code®* (IBC)
- 2021 and 2018 *International Residential Code®* (IRC)

NOTE: This Report references 2021 Code sections. Section numbers in earlier versions of the Codes may differ.

1.2 *Trex® Transcend®, Select® and Enhance®* railing systems have been evaluated for the following properties:

- Structural Performance
- Durability
- Surface Burning
- Decay Resistance
- Termite Resistance

1.3 *Trex® Transcend®, Select® and Enhance®* railing systems have been evaluated for the following uses:

- *Trex® Transcend®, Select® and Enhance®* railing systems are guardrails (guards) under the definitions of the referenced Codes and are intended for use on elevated walking areas in buildings and walkways, including stairs and ramps, as required by the referenced Codes.

- Guardrail systems are provided as level guards for level walking areas such as decks, balconies and porches, and sloped guards for open sides of stairways.
- Guardrail systems recognized in this Report may be used in One- and Two-Family Dwellings regulated by the IRC and all construction types regulated by the IBC in accordance with IBC Sections 705.2.2 and 705.2.3.1, Exceptions 2 and 3. Guardrails less than 42" high are limited to use in One- and Two-Family Dwellings (IRC). See Table 1 for additional restrictions based upon Use and Occupancy Classification.

2.0 STATEMENT OF COMPLIANCE

Trex® Transcend®, Select® and Enhance® railing systems comply with the Codes listed in Section 1.1, for the properties stated in Section 1.2 and uses stated in Section 1.3, when installed as described in this Report, including the Conditions of Use stated in Section 6.0.

3.0 DESCRIPTION

3.1 Railing systems include top and bottom rails, baluster spacers and rail inserts (*Transcend®* only), balusters, post sleeves, rail brackets, foot blocks and decorative moldings. See Table 1 for recognized railing dimensions.

3.2 Rails and post sleeves are wood-plastic composite extrusions with a PVC or acrylic cap layer, baluster spacers and rail inserts are PVC extrusions, and balusters are either wood-plastic composite or aluminum extrusions. Rail brackets, foot blocks and decorative moldings are injection-molded plastic parts.

3.3 *Trex® Transcend®* railing is produced in Classic White, Charcoal Black, Fire Pit, Gravel Path, Rope Swing, Tree House and Vintage Lantern, consisting of the following components (see Figure 2):

3.3.1 The top rail is a crown profile with overall dimensions of 3.312" wide by 2.453" tall.



3.3.2 The bottom rail is an “H” profile with overall dimensions of 3.000” wide by 2.004” tall.

3.3.3 Balusters are available in a 1.418” square composite profile, 0.750” square aluminum profile or 0.750” round aluminum profile. Balusters are inserted into holes in baluster spacers snapped into the top and bottom rails. Rail inserts are installed into the top and bottom rails when using aluminum balusters.

3.3.4 Rails are attached to posts with nylon brackets.

3.3.5 The post sleeve is a 4.450” square profile with three internal ribs on each wall.

3.4 *Trex® Select®* railing is produced in Classic White, and *Trex Enhance®* railing is produced in Classic White, Charcoal Black, Saddle and Vintage Lantern. Both railing systems consist of the following components (see Figure 4):

3.4.1 The top and bottom rails are rectangular profiles with overall dimensions of 2.750” wide by 2.000” tall. The top rail is oriented flatwise, and the bottom rail is oriented edgewise.

3.4.2 Balusters are only available in a 0.750” round aluminum profile.

3.4.3 Rails are attached to posts with nylon brackets.

3.4.4 The post sleeve is a 4.450” square profile with three internal ribs on each wall.

4.0 PERFORMANCE CHARACTERISTICS

4.1 The guardrail systems described in this Report have demonstrated the capacity to resist the design loadings specified in Chapter 16 of the IBC and Section R301 of the IRC when tested in accordance with ICC-ES AC174 and ASTM D7032.

4.2 Structural performance has been demonstrated for a temperature range from -20 °F to 125 °F.

4.3 Materials used are deemed equivalent to preservative treated or naturally durable wood for resistance to weathering effects, decay and attack from termites. See Section 6.6 for limitations.

4.4 Materials used have a flame spread index less than 200 when tested in accordance with ASTM E84.

5.0 INSTALLATION

5.1 General

Trex Transcend®, *Select®* and *Enhance®* railing systems must be installed in accordance with the manufacturer’s published installation instructions, the applicable Code and this Research Report. A copy of the manufacturer’s instructions must be available on the jobsite during installation.

5.2 *Trex® Transcend®* Railing (Figure 1)

5.2.1 The top and bottom rails are attached via bracket connections to conventional 4x4 wood posts covered with composite post sleeves. See Table 2 for fastening schedule.

5.2.2 Baluster spacers are snapped into the top and bottom rails and secured by a friction fit, and balusters are inserted into holes punched in the baluster spacers. When using aluminum balusters, rail inserts are installed into the top and bottom rails prior to installing the baluster spacers.

5.2.3 The foot block is an adjustable support installed between the deck surface and bottom rail using one #8-10 x 1-1/4” bugle head wood screw. At least one foot-block shall be installed at the midspan of the railing. For IBC use at spans over 6’ OC, two foot-blocks shall be installed at the one-third points of the railing.

5.3 *Trex® Select®/Enhance®* Railing (Figure 3)

5.3.1 The top and bottom rails are attached via bracket connections to conventional 4x4 wood posts covered with composite post sleeves. See Table 2 for fastening schedule.

5.3.2 Balusters are inserted into holes routed in the top and bottom rails.

5.3.3 The foot block is an adjustable support installed between the deck surface and bottom rail using one #8-10 x 1-1/4” bugle head wood screw. One foot block shall be installed at the midspan of the railing.





5.4 The wood in the supporting structure, including support posts, shall have a specific gravity of 0.55 or greater (Southern Yellow Pine or better) and a minimum thickness to allow full penetration of the bracket mounting screws.

6.0 CONDITIONS OF USE

6.1 Installation must comply with this Research Report, the manufacturer’s published installation instructions and the applicable Code. In the event of a conflict, this Report governs.

6.2 See Section 1.3 for construction types and use classifications.

6.3 Conventional wood supports, including support posts for guardrails, are not within the scope of this Report and are subject to evaluation and approval by the building official. Supports must satisfy Section R507.10 of the 2021 IRC, satisfy the design load requirements specified in Chapter 16 of the IBC, and must provide suitable material for anchorage of the rail brackets. Where required by the building official, engineering calculations and details shall be provided.

6.4 Only those types of fasteners and fastening methods described in this Report have been evaluated for the installation of the products listed in Section 1.0; other methods of attachment are outside the scope of this Report.

6.5 Compatibility of fasteners and other metallic components with the supporting structure, including chemically treated wood, is not within the scope of this Report.

6.6 The wood-plastic composite material used in the Trex® guardrail systems described in this Report has not been evaluated for use in areas subject to Formosan termite attack.

6.7 Trex® railing systems are manufactured in Winchester, VA, in accordance with the manufacturer's approved quality control system, with inspections by Intertek Testing Services, Inc.

7.0 SUPPORTING EVIDENCE

7.1 Drawings and installation instructions submitted by the manufacturer.

7.2 The reports of testing and engineering analysis demonstrating compliance with the performance requirements of ICC-ES AC174, *Acceptance Criteria for Deck Board Span Ratings and Guardrail Systems (Guards and Handrails)*, approved January 2012, editorially revised December 2014.

7.3 The reports of testing and engineering analysis demonstrating compliance with the performance requirements of ASTM D7032-17, *Standard Specification for Establishing Performance Ratings for Wood-Plastic Composite and Plastic Lumber Deck Boards, Stair Treads, Guards, and Handrails*.

7.4 Documentation of an Intertek-approved quality control system for the manufacturing of products recognized in this Report.

8.0 IDENTIFICATION

The Trex® railing systems described in this Report shall be identified with labeling on the packaging to include the following:

8.1 Name and/or trademark of the manufacturer and the manufacturer’s web address.

8.2 The following statement: "See CCRR-0132 at bpdirectory.intertek.com for uses and performance levels." For railing systems limited to IRC use in Table 1, the label shall also include the phrase, "For Use in One- and Two-Family Dwellings Only."

8.3 The Intertek Code Compliance Research Report mark and number (CCRR-0132).





9.0 OTHER CODES

This section is not applicable.

10.0 CODE COMPLIANCE RESEARCH REPORT USE

10.1 Approval of building products and/or materials can only be granted by a building official having legal authority in the specific jurisdiction where approval is sought.

10.2 Code Compliance Research Reports shall not be used in any manner that implies an endorsement of the product by Intertek.

10.3 Reference to <https://bpdirectory.intertek.com> is recommended to ascertain the current version and status of this Report.

This Code Compliance Research Report (“Report”) is for the exclusive use of Intertek’s Client and is provided pursuant to the agreement between Intertek and its Client. Intertek’s responsibility and liability are limited to the terms and conditions of the agreement. Intertek assumes no liability to any party, other than to the Client in accordance with the agreement, for any loss, expense or damage occasioned by the use of this Report. Only the Client is authorized to permit copying or distribution of this Report and then only in its entirety, and the Client shall not use the Report in a misleading manner. Client further agrees and understands that reliance upon the Report is limited to the representations made therein. The Report is not an endorsement or recommendation for use of the subject and/or product described herein. This Report is not the Intertek Listing Report covering the subject product and utilized for Intertek Certification and this Report does not represent authorization for the use of any Intertek certification marks. Any use of the Intertek name or one of its marks for the sale or advertisement of the tested material, product or service must first be approved in writing by Intertek.





TABLE 1 – LEVEL GUARDRAIL SYSTEM BUILDING CODE RECOGNITION

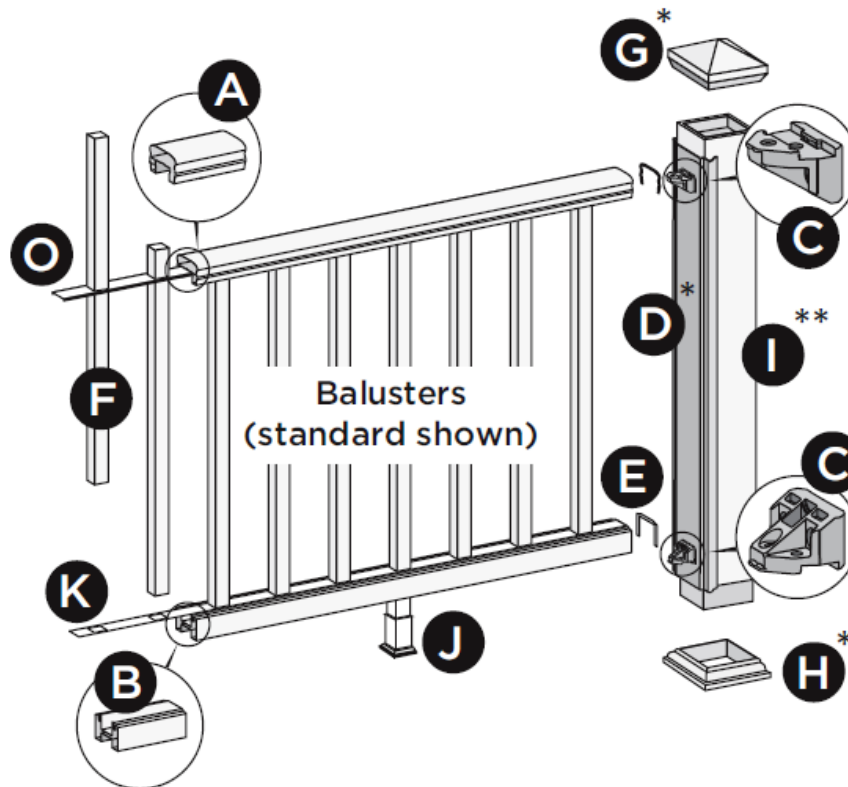
Guardrail System	Balusters	Guardrail System Size (Length x Height) ⁽¹⁾	Number of Foot Blocks	Code Recognition
<i>Trex Transcend</i> [®]	1.418" Square Composite Baluster or 0.750" Round Aluminum Baluster	91.5" x 36"	1	IRC – One- and Two-Family Dwellings
	0.750" Square Aluminum Baluster	91.5" x 42"	1	IRC – One- and Two-Family Dwellings
			2	IBC – All Use Groups
<i>Trex Select</i> [®]	0.750" Round Aluminum Baluster	67.5" x 36"	1	IRC – One- and Two-Family Dwellings
		67.5" x 42"	1	IRC – One- and Two-Family Dwellings
<i>Trex Enhance</i> [®]	0.750" Round Aluminum Baluster	72" x 36"	1	IRC – One- and Two-Family Dwellings
		72" x 42"	1	IRC – One- and Two-Family Dwellings

⁽¹⁾ Level railing length is the maximum clear length between supports. Railing height is the minimum installed height from the walking surface to the top of the top rail.

TABLE 2 – GUARDRAIL ASSEMBLY/FASTENING SCHEDULE

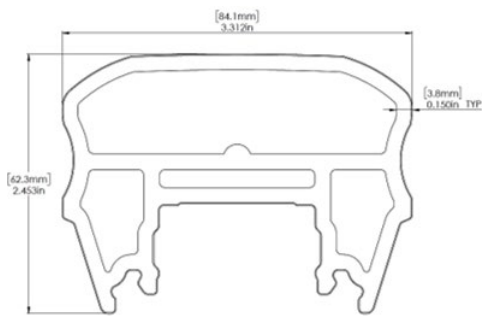
Connection	Fasteners
<i>Trex Transcend</i>[®]	
Rail Bracket to Post	Two #8-10 x 2" bugle head, #2 square drive, coated steel wood screws
Rail Bracket to Rail	Three #8-18 x 1-1/4" pan head, #2 square drive, coated steel self-drilling screws
Balusters to Rails	Inserted into holes in baluster spacers snapped into rails
Foot Block to Bottom Rail	Inserted into pre-drilled hole in rail
<i>Trex Select</i>[®]/<i>Enhance</i>[®]	
Rail Bracket to Post	Two #8-10 x 2" bugle head, #2 square drive, coated steel wood screws
Rail Bracket to Rail	Three #8-18 x 1" pan head, #2 square drive, coated steel self-drilling screws
Balusters to Rails	Inserted into holes in rails
Foot Block to Bottom Rail	Inserted into pre-drilled hole in rail



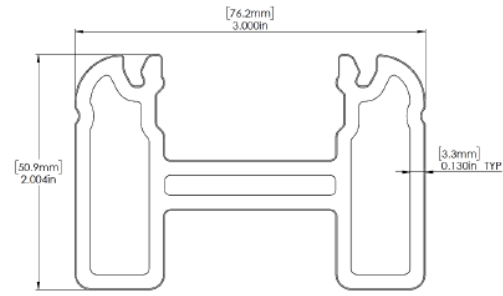


- A. Crown or Universal Rail
- B. Universal Rail
- C. Railing Support Bracket (RSB)
- D. TrexExpress™ Railing Assembly Template*
- E. Rail gaskets
- F. Balusters
- G. Post sleeve cap*
- H. Post sleeve skirt*
- I. Post sleeve - 4" x 4" (102 mm x 102 mm) or 6" x 6" (152 mm x 152 mm)**
- J. Adjustable foot block (quantity of one is required for all railing span lengths)
- K. Baluster spacer

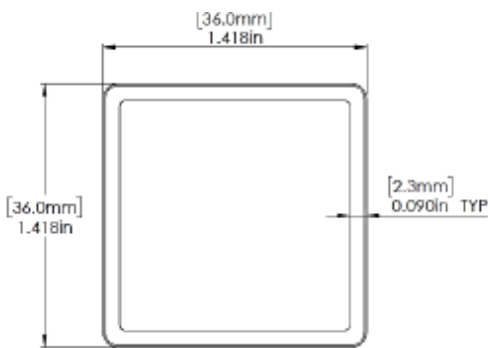
FIGURE 1 – TREX® TRANSCEND® RAILING ASSEMBLY



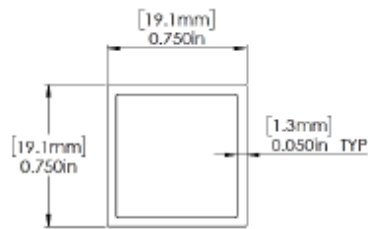
Top (Crown) Rail



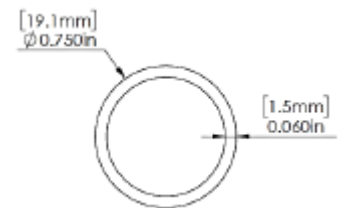
Bottom (Universal) Rail



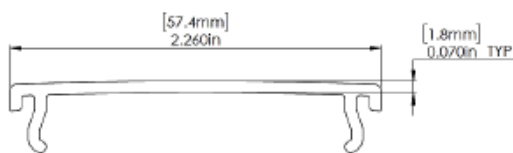
Square Composite Baluster



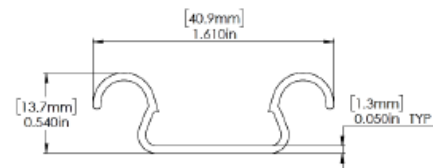
Square Aluminum Baluster



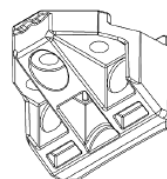
Round Aluminum Baluster



Baluster Spacer



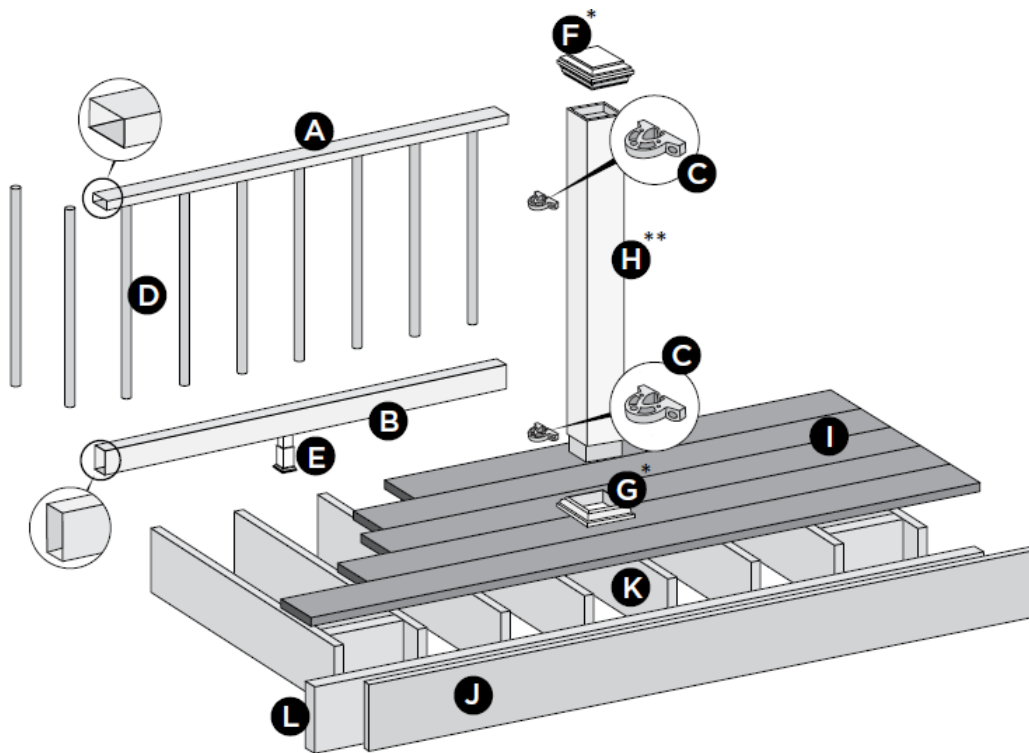
Rail Insert (For Aluminum Balusters Only)



Rail Bracket

FIGURE 2 – TREX® TRANSCEND® GUARDRAIL COMPONENTS





- A. Top Rail
- B. Bottom Rail
- C. Brackets
- D. Aluminum Round Balusters
- E. Adjustable Foot Block
- F. Post Sleeve Cap*
- G. Post Sleeve Skirt*
- H. Post Sleeve**
- 4" x 4" x 48"
- I. Trex Decking
- J. Trex Fascia
- K. Code-approved Wood Joist***
- 2" x 8"
- L. Code-approved Wood Rim Joist***
- 2" x 8" or Larger

FIGURE 3 – TREX® SELECT®/ENHANCE® RAILING ASSEMBLY

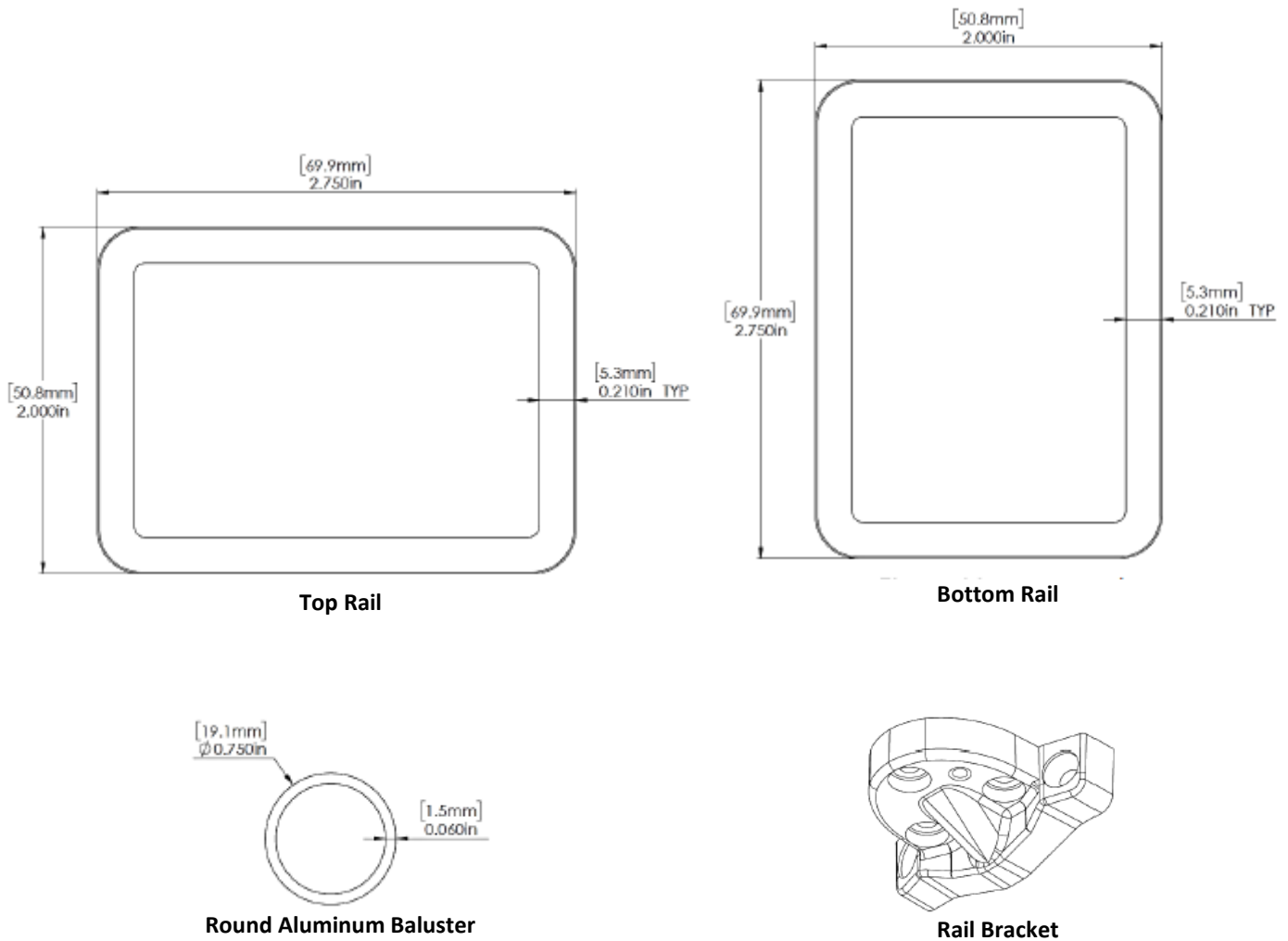


FIGURE 4 – TREX® SELECT®/ENHANCE® GUARDRAIL COMPONENTS

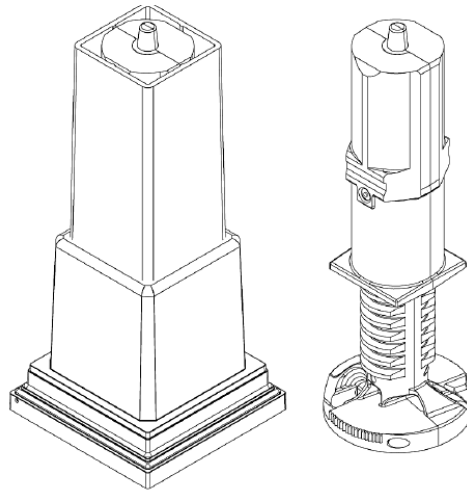


FIGURE 5 – FOOT BLOCK

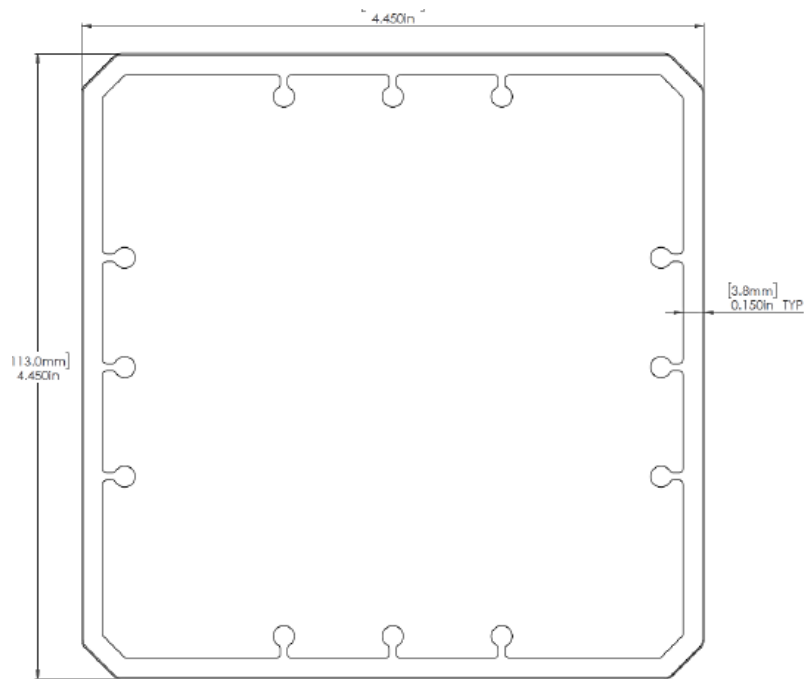


FIGURE 6 – 4X4 POST SLEEVE