



Trex® RainEscape®
DECK DRAINAGE SYSTEM

INSTALLATION GUIDE



CREATE A
DRY SPACE
below your deck

Protect the space below your deck
FROM RAIN, SUN & OTHER ELEMENTS

WATER IS DIRECTED AWAY FROM YOUR DECK AND INTO A WATER DRAINAGE SYSTEM



EXPAND YOUR
OUTDOOR LIVING SPACE



Trex® RainEscape®

DECK DRAINAGE SYSTEM



INSTALLATION GUIDE

This installation guide provides step-by-step instructions on how to install Trex RainEscape on an elevated deck. Please read through these instructions carefully. For additional information on how to install Trex RainEscape, please view our videos on the Trex RainEscape YouTube channel or call a Trex RainEscape Specialist at **1-877-348-1385**.

TREX® RAINESCAPE® INSTALLATION GUIDE

BASIC INSTALLATION

Parts	4
Tools	4
Preparation	5
Installing the Trex RainEscape Downspout	5
Types of Flashing	6
Installing the Trex RainEscape Trough	7
Tape all Seams	9
Wall Flash	9
Installing Fascia.....	10
Installation of a Gutter System	10
Installing Trex Rainescape Soffit Lights.....	11

MODIFICATIONS & SPECIAL CASES

Single Picture Frame or Breaker Board	14
Double or Triple Picture Frame	14
Cantilevered Downspout	15
Obstructions & Posts	16
Using the Trex RainEscape Post Flash	16
Surface Post Mount.....	17
Installation of a Trough Over a Double or Triple Joist	17
Modifying Downspouts for Obstructions	17
Cutting Around Downspouts and Obstructions	18
Double Extended Decks (over 19').....	18
Installing Can Lighting	19
Installing Over Deck Steps	19

INSTALLATION OVER A STEEL JOIST SYSTEM..... 20

WARRANTY 22

FREQUENTLY ASKED QUESTIONS 23

**Refer to installation sheet for most current updates*

BEFORE YOU BEGIN

Always consult with the local building code official prior to installing the system to ensure you are meeting all code and safety requirements. Trex is not responsible for improper or non-recommended installations.



Scan this QR code to view a video on design and layout considerations to keep in mind when installing the Trex RainEscape system.

DO'S

- Make all joists straight and square.
- Add outlets to gutter every 12' - 14'.
- Cover all joists and blocking with trough material, then butyl tape.
- Cover the Trex RainEscape system with deck boards.
- Ensure the troughs and downspouts are dry and clear of debris before applying tape.
- Acclimate the trough before installing.
- Install the trough material with the shiny side up. Only use Trex RainEscape branded products.

DON'TS

- Do not staple Trex RainEscape products anywhere other than into or over floor joists, ledger, rim joists, or headers.
- Do not use spiked hidden fasteners, or any fastener without a flat base to provide pressure to butyl tape. Call a Trex RainEscape Specialist at 1-877-348-1385 for recommendations.
- Do not over drive double thread screws.
- Do not stand anywhere other than the top of the floor joists, ledger, rim joists, or headers. The Trex RainEscape system can not support body weight.
- Do not use nails to attach the deck boards above the Trex RainEscape system.

HELPFUL TIPS

THE TREX RAINESCAPE SYSTEM IS MORE EASILY INSTALLED WITH TWO PEOPLE WORKING TOGETHER

SNOW BUILD-UP

Snow will sit on decking until it melts and then it will run through the system.

LEAVES

If leaves and debris accumulate in the troughs, a standard washing or a hard rain will clean out the system.

IF THE TAPE WILL NOT STICK

In areas, such as the perimeter, brick or stucco, where the Trex RainEscape tape will not stick, use the Trex RainEscape butyl caulk to adhere the material.

CAUTION

Do not splice trough material. If the trough material is spliced it must be replaced.

To estimate your materials needs or for questions, visit our website trexrainscape.com or contact us at **1-877-348-1385**

BASIC INSTALLATION

PARTS

DOWNSPOUT - 40mil

TROUGH - 20mil
19-5/8" x 16' (49.8 cm x 4.8 M)

TROUGH - 20mil
19-5/8" x 12' 49.8 cm x 3.6 M)

WALL FLASH
1/4" x 1" x 25'
(6.35 mm x 25.4 mm x 7.62 M)

TAPE
4" x 50'
(102mm x 15.24 M)

DOUBLE SIDED TAPE
2 1/2" x 50'
(63.5 mm x 15.24 M)

TREX RAINESCAPE BUTYL CAULK* (10.5 oz tube)
*One tube covers 25 linear ft. w/1/4" bead

SOFFIT LIGHT

4X4 POST FLASH
(102 mm x 102 mm)

TOOLS

STAPLE GUN

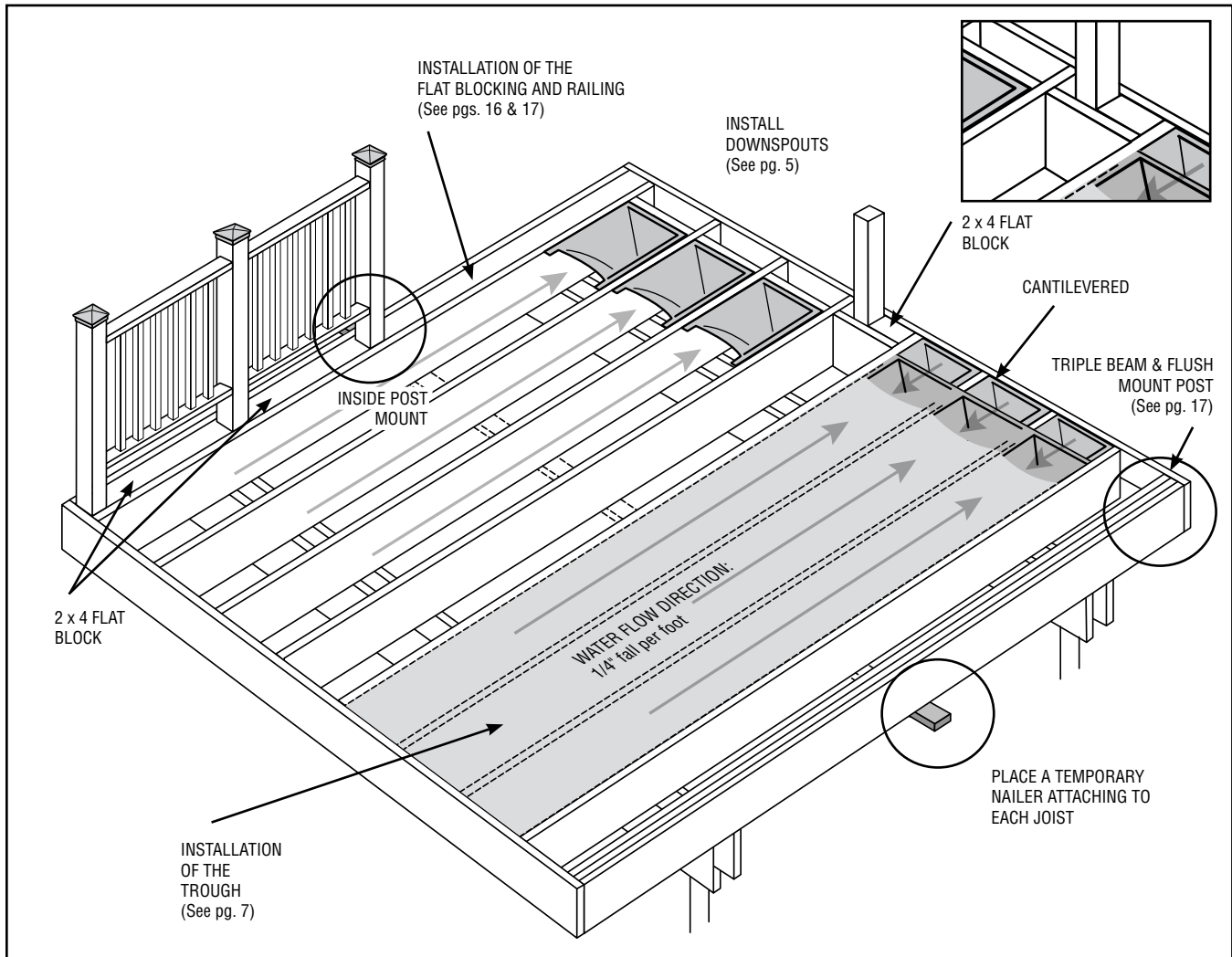
CAULK GUN

REGULAR STAPLES
(3/8" or longer)

UTILITY KNIFE

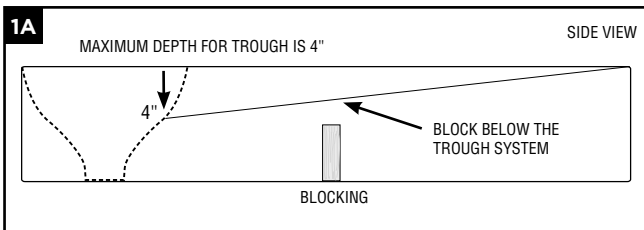
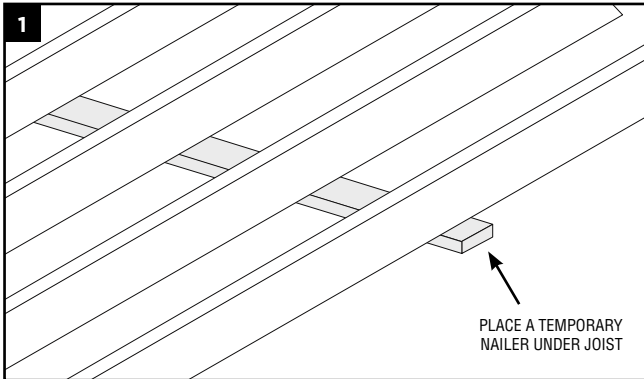
4-5/8" (120 mm) HOLE SAW

FRAMING DETAIL



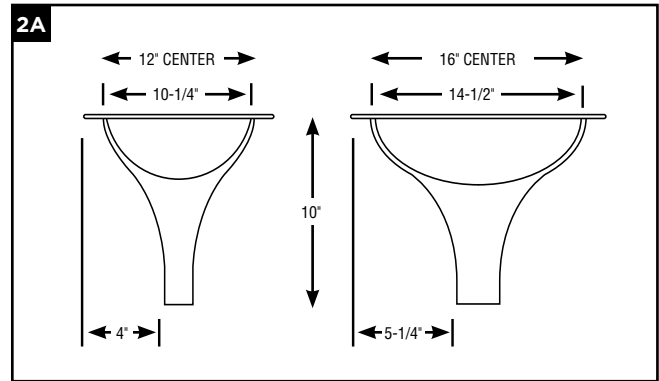
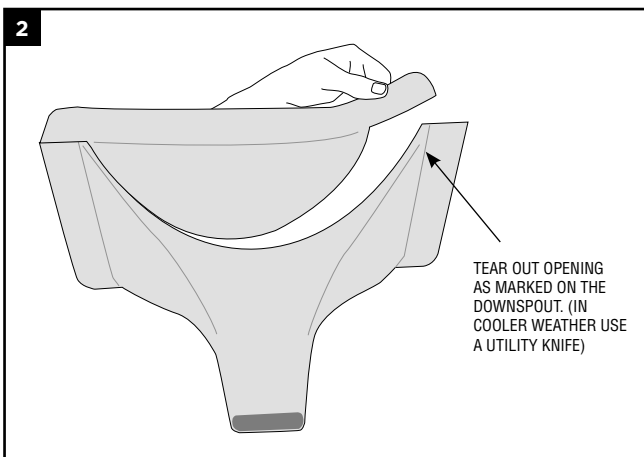
1. PREPARATION

- »Read all instructions completely before beginning.
- »Place midspan nailer (1) or vertical blocking (1A) to keep joist straight and prevent rolling.
- »Midspan nailer can be removed when soffit or ceiling is installed.

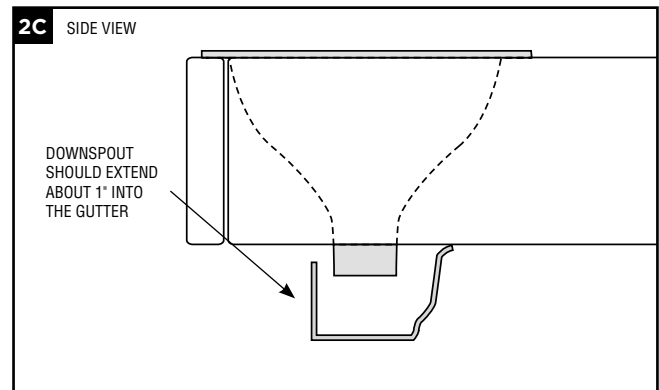
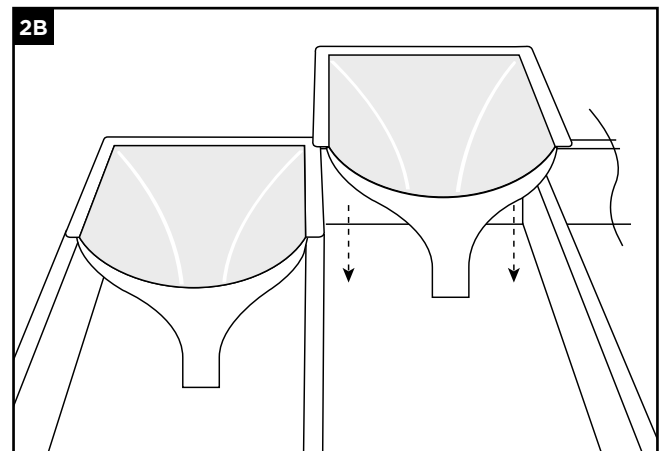


2. INSTALLING THE TREX RAINESCAPE DOWNSPOUT

- »Cut downspouts along one 12" or 16" side of score mark based on joist spacing.
- »Install all downspouts along rim joist and/or ledger board. Cut-out side should face open deck bay.



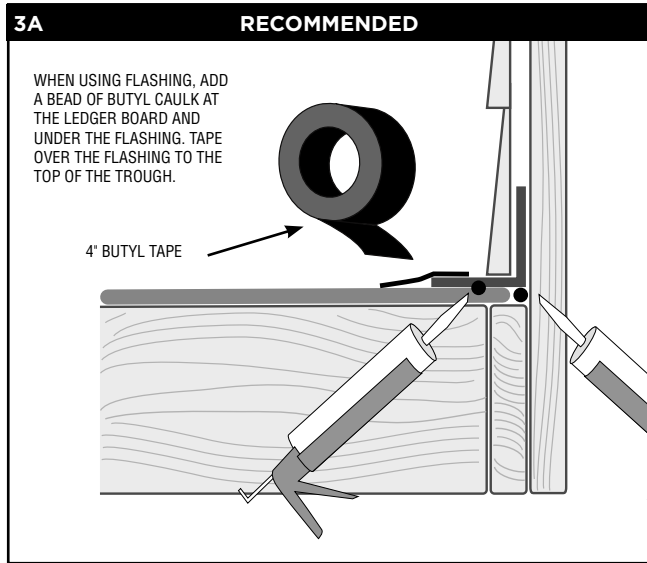
- »Downspout should extend 1" into gutter: cut or extend as necessary. (2C)



3. THREE TYPES OF FLASHING:

With Flashing

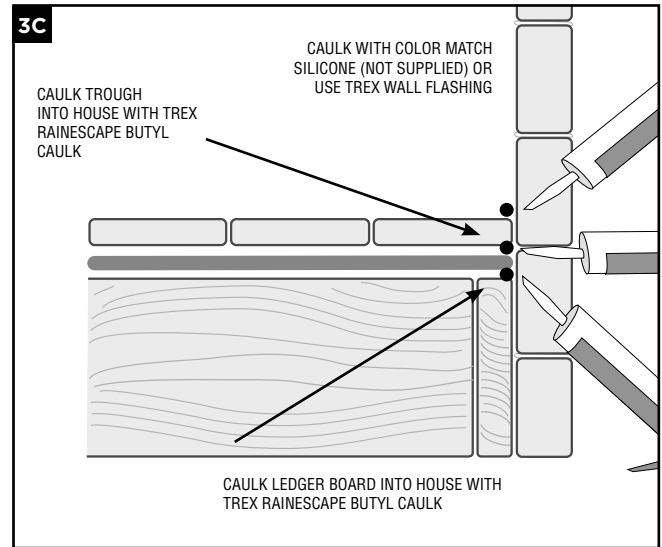
»When using flashing add a bead of butyl caulk at the ledger board and between the flashing and trough. Tape over the flashing to the top of the trough using the 4" RainEscape butyl tape. (3A)



No Flashing with Brick or Stucco

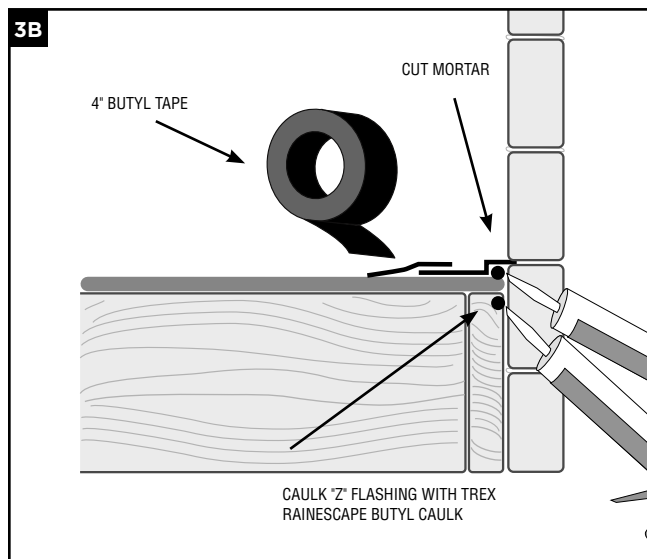
»If installing against brick or stucco and you **DO NOT** need a 100% water tight seal, use the caulking method. (3C)

Trex does not endorse installing the system without flashing. If installation with flashing is not possible, refer to your local building code official for an exception.



Flashing with Brick or Stucco

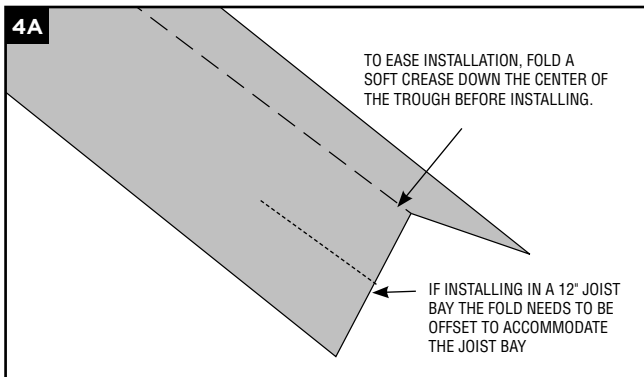
»Cut into mortar or cement joint. (3C) Caulk "Z" flashing into mortar. Install trough under flashing as shown in (3A). Tape over flashing to the top of the trough using the 4" RainEscape butyl tape.



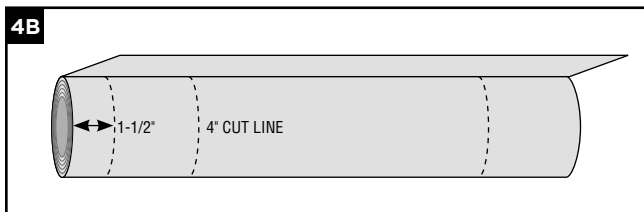
4. INSTALLING THE TREX RAINESCAPE TROUGHS

NOTE: If installing when temperatures fluctuate drastically, be sure to acclimate trough material before installing. Especially if you are using black. Here are two ways.

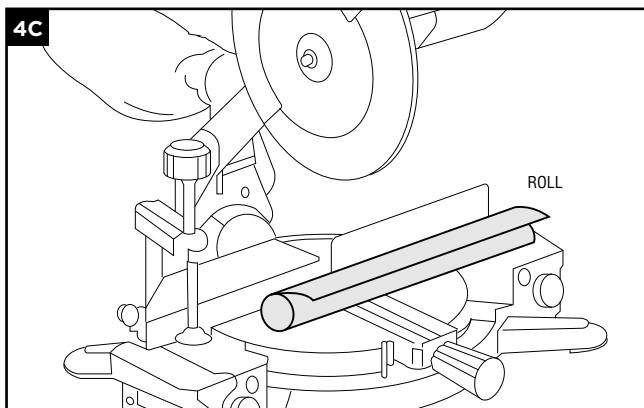
- » Fold a soft crease down the center of the trough. Be sure to account for the offset if installing for a 12" joist bay. (4A)
- » Unroll trough material, giving plastic time to relax and acclimate to outdoor temperatures.



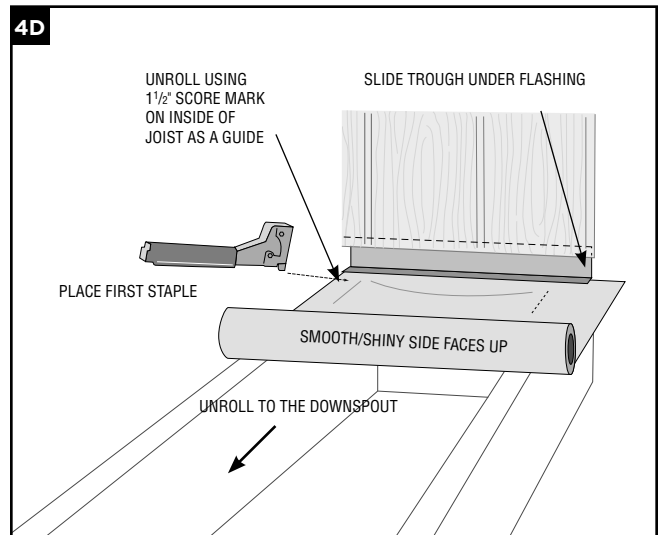
»When working with the Trex RainEscape trough material, ensure that the smooth/shiny side always faces up.



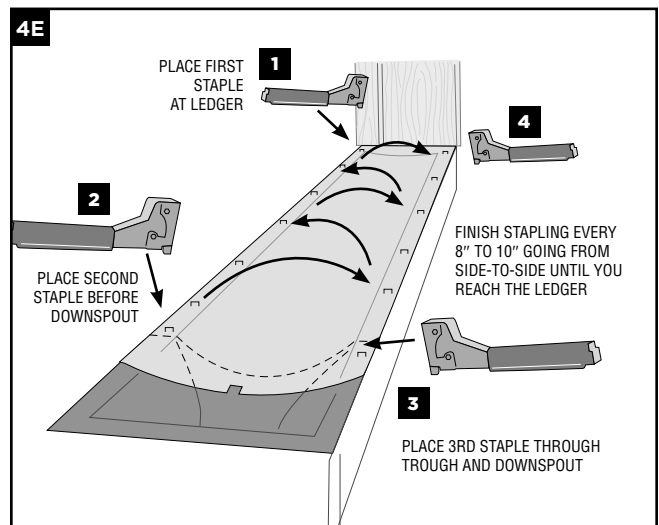
»If installing the system on 12" o.c. joist, cut the 1-1/2" score mark side back 4". Then align the left edge of the trough with the outside of the joist. (4B)



»Measure over 4" on the 1-1/2" score mark side and cut off for 12" on center joists. (4C)

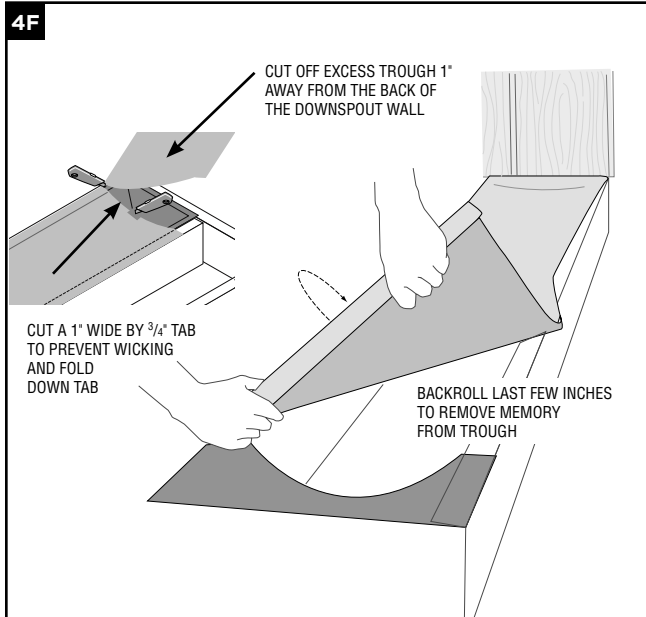


- » Hold roll so 1-1/2" score mark is on the left. (4D)
- » Line up the 1-1/2" score with the second joist.
- » Place first staple at ledger board on 1-1/2" score mark side. (4E)



- »Unroll trough to downspout using 1-1/2" score mark on inside joist as guide.
- »Cut trough to length to back wall of downspout.
- »To remove memory from sheet, backroll the last few inches of the trough. (4F)

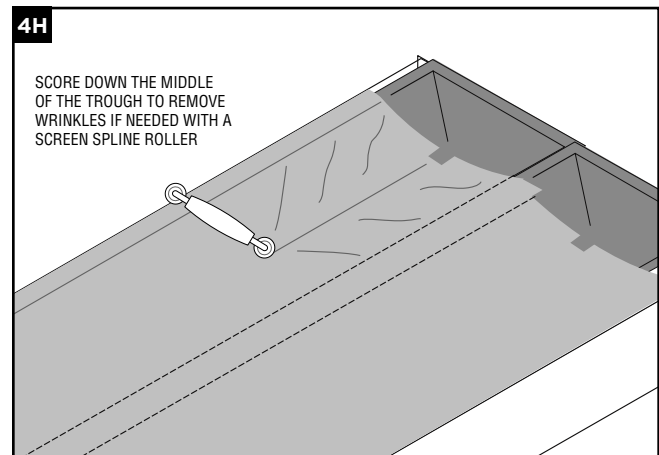
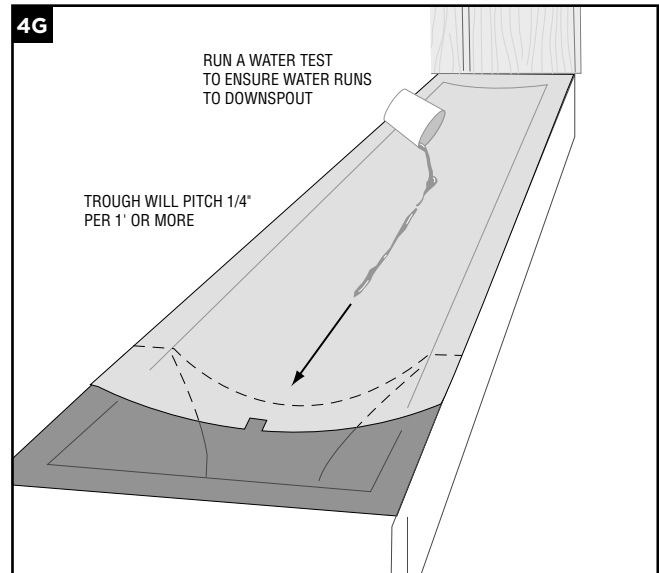
NOTE: If run is longer than 12', put down second staple halfway down second joist.



- » Pull trough tight to ensure memory is released, and place second staple on inside joist through downspout. (4E)
- » On outside joist, form a trough into downspout while lining up the edge of the score mark with inside of joist. Place third staple through trough and downspout on outside joist. (4E)
- » Cut a 1" wide by 3/4" tab at center edge of trough (fold tab down) to prevent wicking. (4F)
- » Pull corner at ledger and outside joist tight keeping entire length of trough smooth and wrinkle-free so as not to impede water flow. (4E)
- » Place fourth staple on outside joist. (4E)
- » Continue stapling every 6" to 8" from downspout to ledger on both joists to secure. (4E)
- » **Trough material must cover all exposed wood on surface of deck**

» To test for correct slope, pour a cup of water on trough at ledger board ensuring water runs to the downspout. (4G)

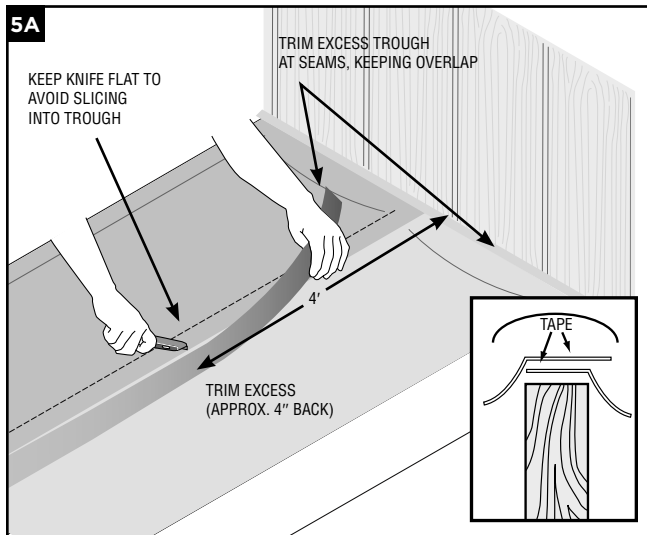
» Follow above step for the remaining troughs.



NOTE: In extreme temperature swings, trough material will expand and contract. Some wrinkling is acceptable but should not impede the flow of water.

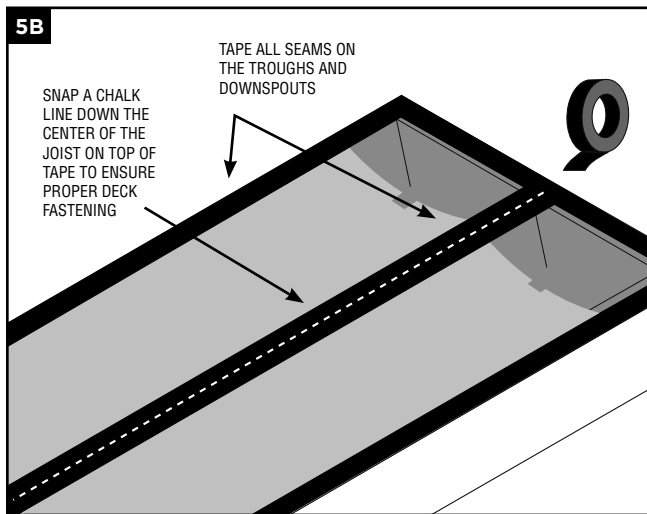
5. TAPE ALL SEAMS

»Trim excess trough at seams, keeping overlap so tape will cover the top of the joist and seams. (5A)



»Using Trex RainEscape tape, tape all seams, joints and perimeter making sure the flashing is taped to the trough. (5B)

NOTE: *Tape works off of compression and must be pinched between decking and joist to make a tight seal.*



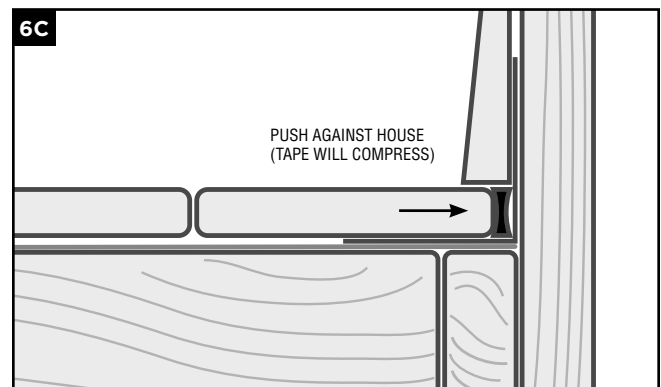
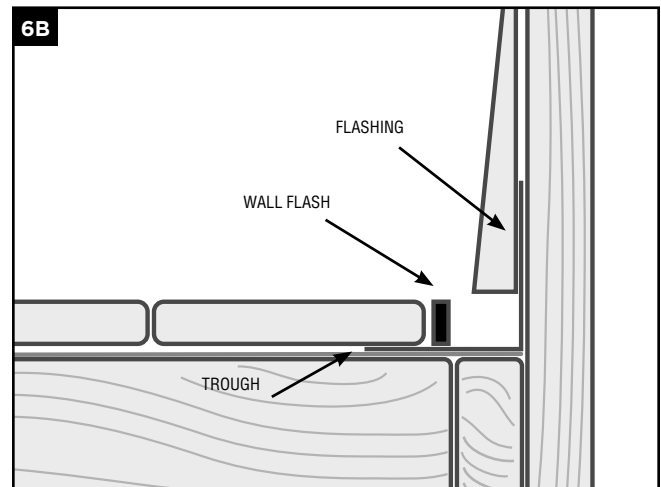
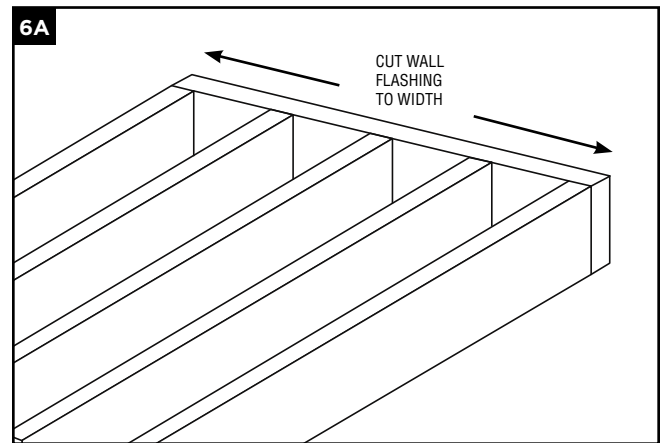
NOTE: *The butyl tape should never be put directly on the board without the trough material or a downspout below it.*

6. WALL FLASHING FOAM STRIP

»Cut a piece of the self-adhesive wall flash the width of the deck. (6A)

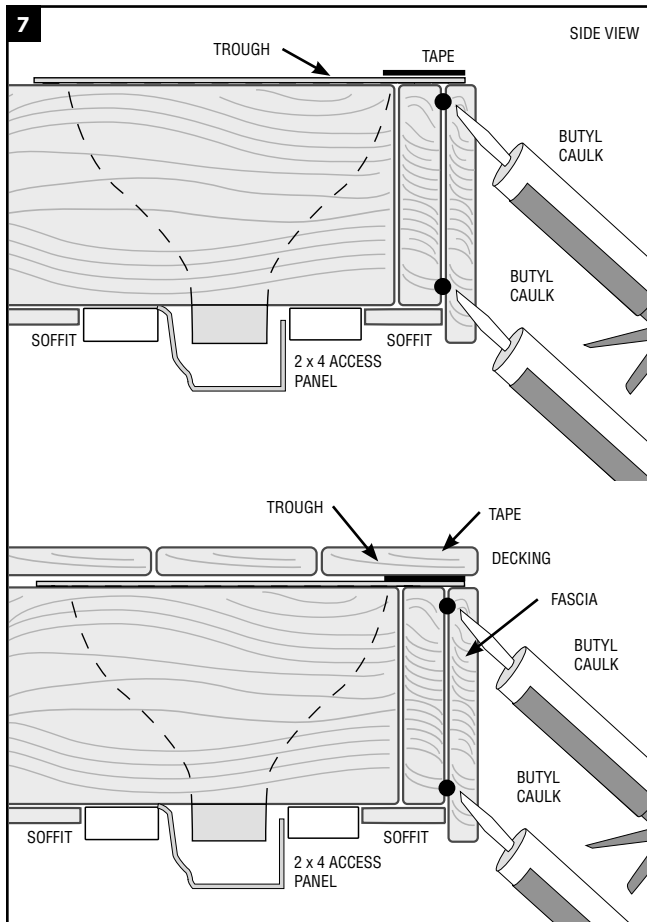
»Peel release paper from the wall flashing and adhere to edge of decking. (6B)

»Push first deck board up against house to compress wall flash. Then secure decking. (6C)



7. INSTALLATION OF FASCIA

»Deck board go over fascia. (7)

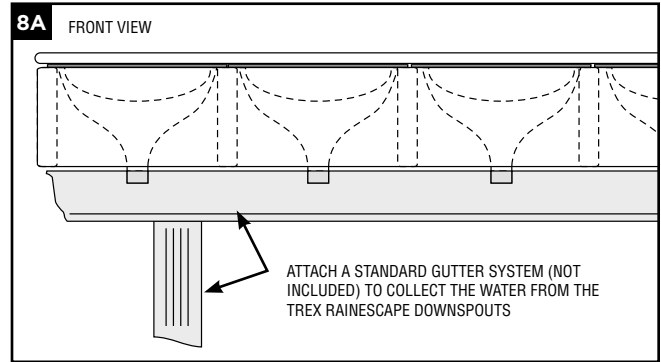


8. INSTALLING A GUTTER SYSTEM

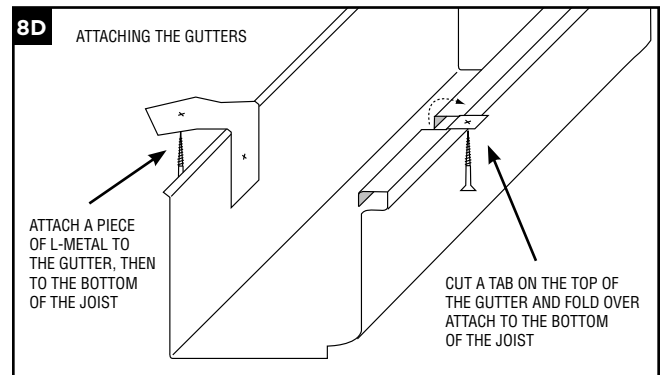
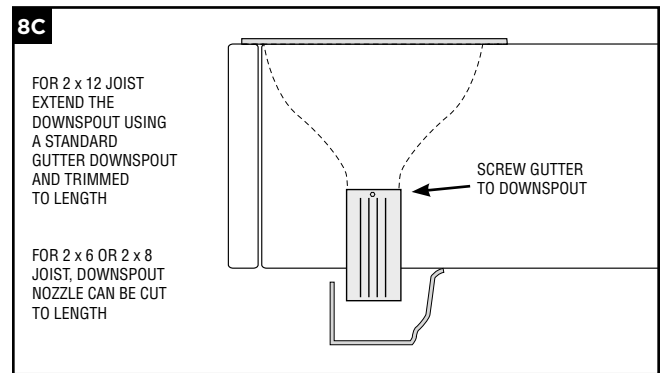
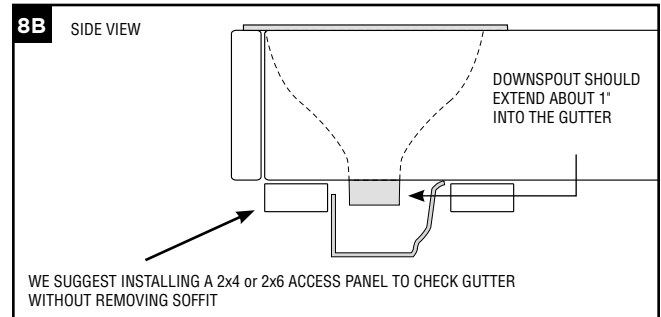
(not included)

»Before installing a gutter system perform a water test to clean out the system and check for any leaks.

»Attach a standard gutter system to collect the water from the Trex RainEscape downspouts.



NOTE: Installing a clean-out trim piece will allow access to gutter line after installation.

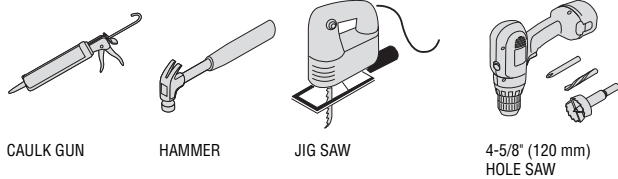


9. INSTALLING TREX RAINESCAPE SOFFIT LIGHTS

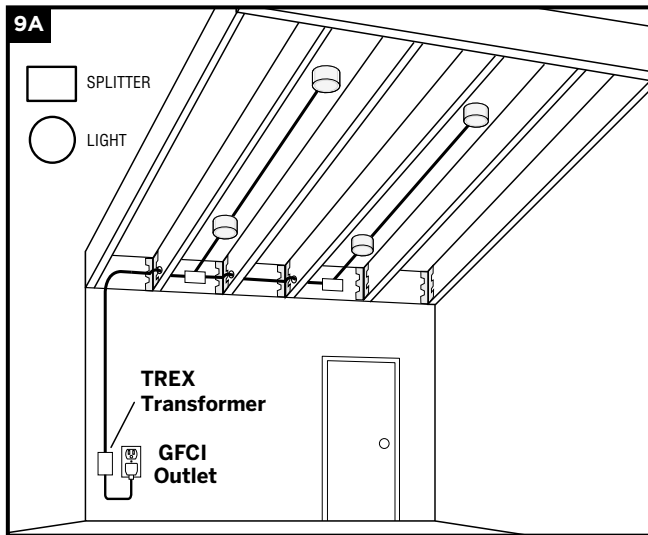
REQUIRED FOR INSTALLATION

Purchase of TREX LED Transformer, TREX 10' Lighting Extension Wire, and TREX Transformer 6-way Splitter for operation. All sold separately.

TOOLS NEEDED



LIGHTING LAYOUT



»Space lights every 6' (1.82 m) or to desired span.

GENERAL INFORMATION

- »**ALWAYS** consult local codes before beginning a project.
- »**USE TREX TRANSFORMER ONLY.**
Use of any other transformer voids warranty.
- »Lights must be installed in a dry area.
- »Allow light to cool before removing.
- »The light requires an unobstructed cooling zone around and above the light. Under no circumstance is this 2" zone to be reduced either through insulation or construction materials.

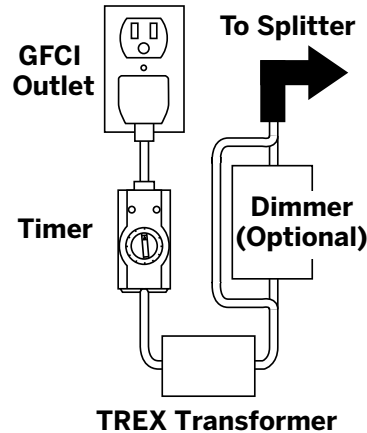
TRANSFORMER CAPACITY BY TYPE

Type of Light	8.3A Transformer (83 DL TRANSFORMER)	2.5A Transformer (25 DL TRANSFORMER)
Soffit Light	23	7

Above listing is for maximum number of each individual light. If mixing and matching lighting, contact Trex to determine if more than one transformer is required.

PLANNING

NOTE: When designing your deck, plan locations of lights, power supply, timer, and dimmer. These should be accessible for service. Installing a GFCI outlet is **REQUIRED** to help prevent damage to lighting from electrical surges. (9A)



1. The dimmer remote will work in a 30' (9.1 m) radius of the unit.
2. Dimmer should be installed in a dry location.
3. Timer must be installed vertically with receptacle facing downwards. Timer must be at least 1' (.30 m) from ground level when installed as per federal safety code height regulations. Timer must be in view of the sun to use the dusk/dawn feature.

NOTE: For installations where the transformer is hardwired to an AC switch, please consult a licensed electrician.

INSTALLING WIRING

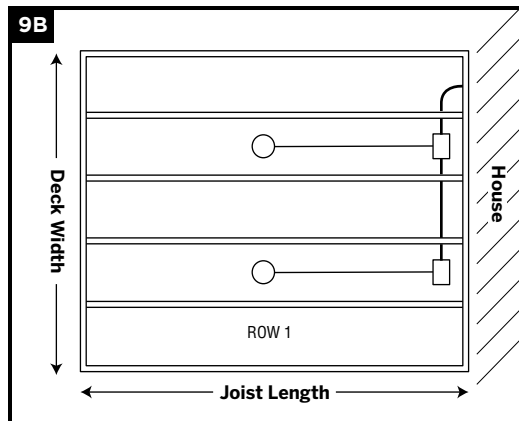
- NOTE:** It is recommended to install wiring and splitters before decking and railing is installed.
- »Use male-to-male connection wire (lengths vary) that will connect to each required splitter.
1. Wiring must be run through deck joist at desired location. **DO NOT** run wires between deck boards and joists. Staple to frame with cable staples at least 1/4" (0.6 cm) wide. **DO NOT** crush wire insulation with staple.

MEASURING

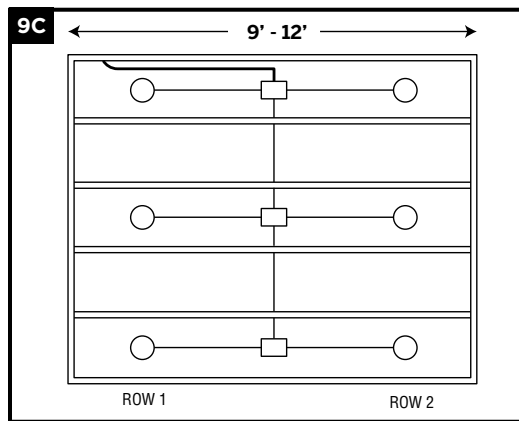
1. Measure joist length and divide by 5.
2. Measure deck width and divide by 5.
3. Take the answer from #1 and multiply by the answer of #2 = the total number of lights. (9B)

NOTE: It is better to over light your area. A dimmer switch can be added later to soften the lighting.

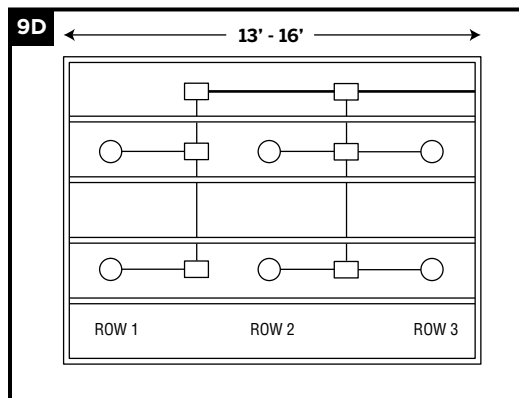
EXAMPLE OF A 1 ROW LIGHT INSTALLATION FOR JOISTS LESS THAN 8'



EXAMPLE OF A 2 ROW LIGHT INSTALLATION FOR JOISTS BETWEEN 9' AND 12' (2.76 - 3.65 M)

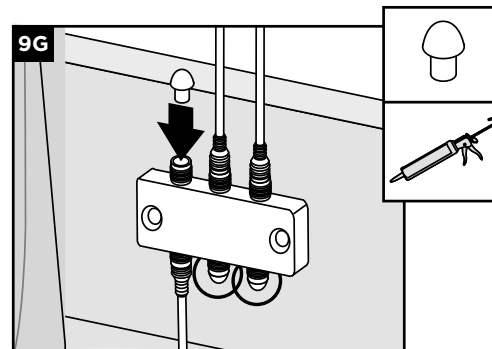
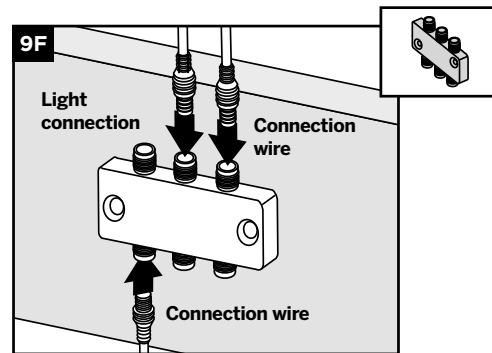
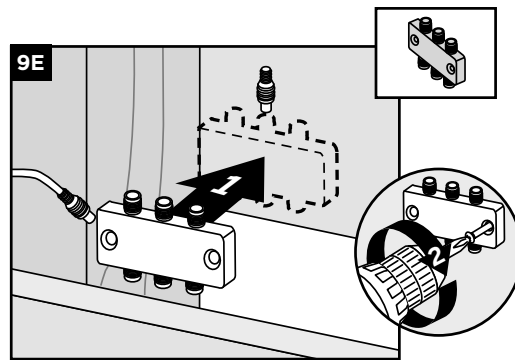


EXAMPLE OF A 3 ROW LIGHT INSTALLATION FOR JOISTS BETWEEN 13' AND 16' (3.96 - 4.87 M)



MAKING CONNECTIONS

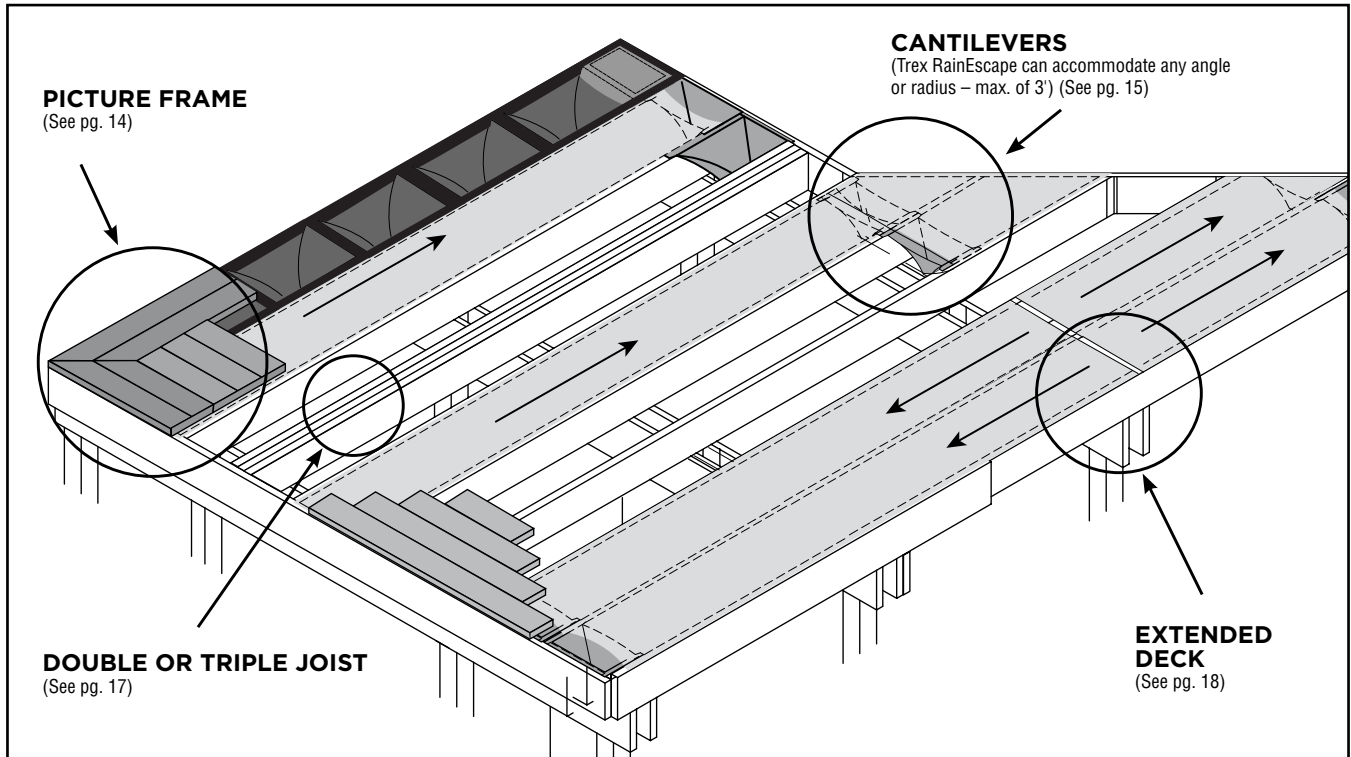
1. Install splitters to inside of framing using hardware provided. Install a splitter at every junction where you will run a row of lights. (9E)
2. Run wire through joist and roll up 1' - 2' (0.30 m - 0.60 m) extra wire in area the light will be installed. Staple to the side of the joist (making sure not to staple through the wire).
3. Cap off all unused female connections on splitters using caps provided or weather resistant silicone. (9G)



INSTALLING THE LIGHTS

- » Install ceiling of your choice. Make sure to remember where wire end is located.
- » Mark where the light is to be installed and use 4-5/8" or 120 mm hole saw to bore hole, (a jig saw can be used instead of a hole saw).
- » Reach up through the hole and pull out wire end and attach to light.
- » Fold orange springs up and push light into opening. The springs will fold down and hold light in place.
- » If using directional feature, spin light so it shines on desired area.

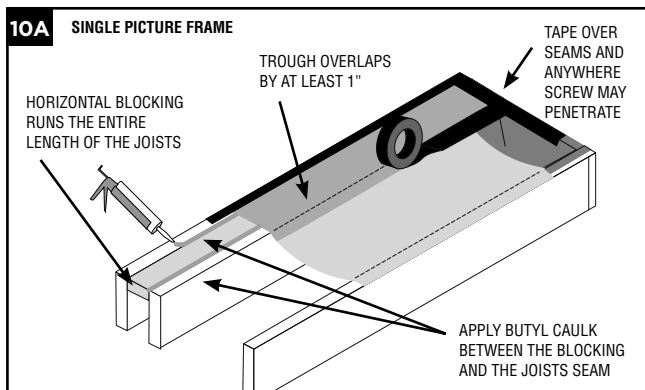
MODIFICATIONS AND SPECIAL CASES



10A. FLAT BLOCKING, SINGLE PICTURE FRAME/BREAKER BOARD

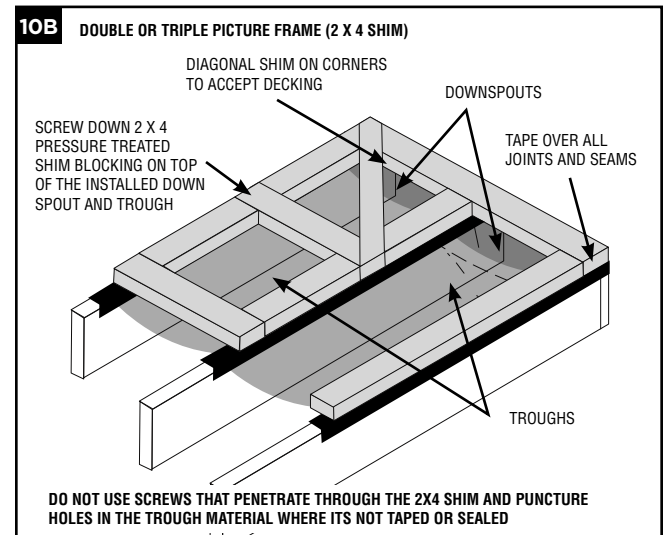
- »Place a horizontal nailer flush with the top of the joist from the ledger board to the rim joist.
- »Caulk between the blocking and the joists seam.
- »Cover nailer with trough, making sure to overlap adjoining downspout and trough.
- »Cover all seams with 4" butyl tape and anywhere a screw can penetrate.

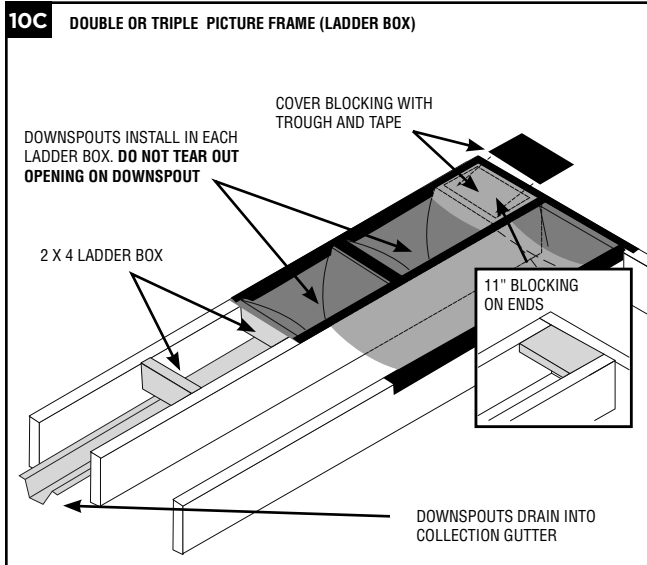
NOTE: Do not use larger than 2" x 6" flat blocking.



10B. DOUBLE OR TRIPLE PICTURE FRAME: 2 X 4 SHIMS

- »Install the Trex RainEscape system as per previous instructions. (pp 5-9)
- »Tape all joints and seams.
- »Screw down 2" x 4" pressure-treated shim blocking on top of the installed the RainEscape system over the joists and wherever blocking is needed to support deck boards.
- »Attach decking. (When attaching decking use fasteners that do not penetrate all the way through the 2" x 4" shim).





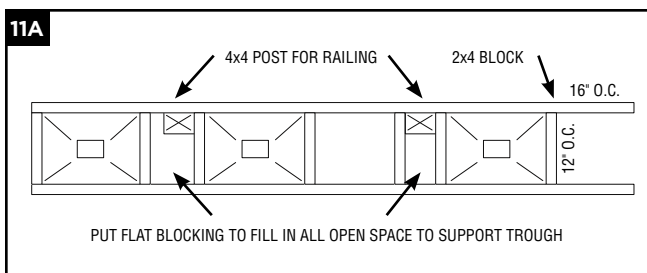
10C. DOUBLE OR TRIPLE PICTURE FRAME: LADDER BOX

- »Place a 11" blocking horizontally on the ends of the bay to support 45° decking.
- »Install a 2 x 4 ladder box to support downspouts.
- »Trim off all downspout nozzles to accommodate gutter.
- »Place downspouts into ladder box (DO NOT REMOVE OPENINGS).
- »Install a piece of trough material over the 11" blocking, making sure to overlap downspouts and the adjoining trough.
- »Tape over blocking, joints and seams making sure that all screw penetrations go through trough and tape.

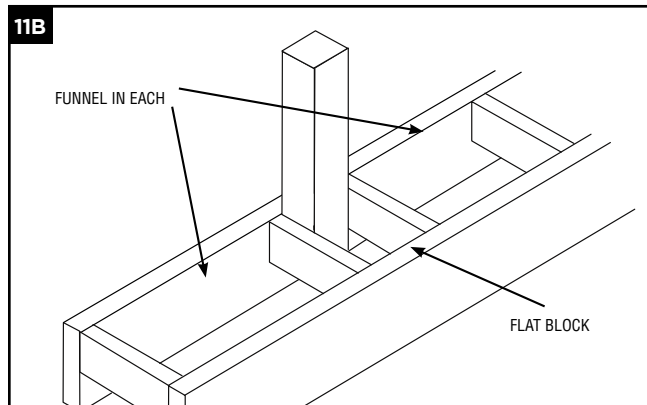
11. INSTALLING RAILING USING THE LADDER BOX METHOD

If installing an inset post with double picture frame using ladder box method:

- »Decide where each post will need to be attached
- »Use vertical and flat blocking at desired location as shown. (11A)

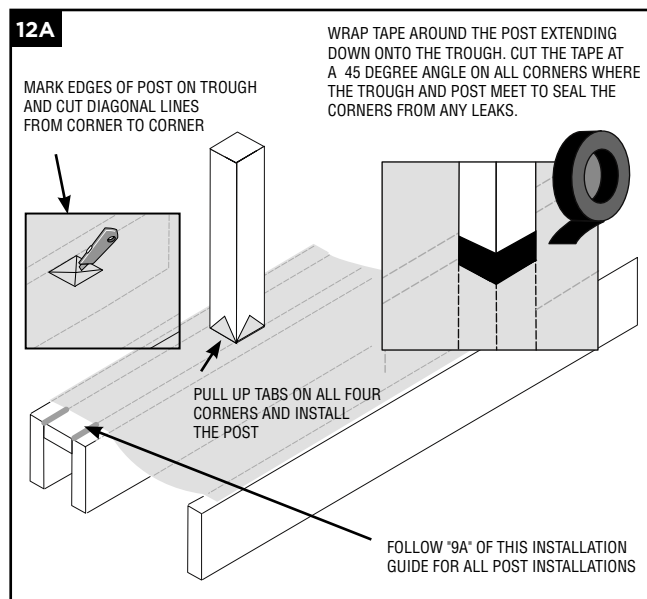


- »Cover all flat blocking with trough material and caulk all seams.
- »Caulk around all flat blocking. Cover with trough material and tape all seams.



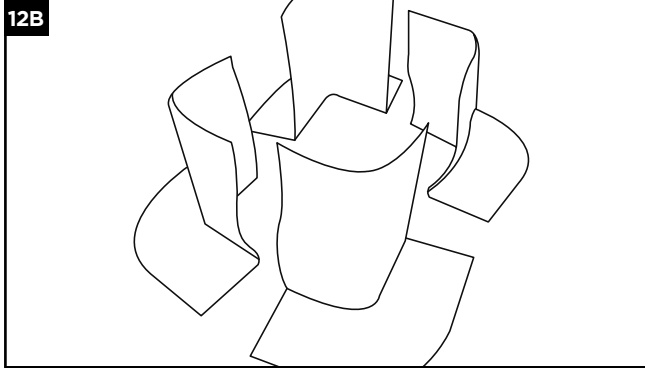
12A. RAILING POSTS, 6X6 POSTS AND OBSTRUCTIONS WHEN NOT USING 4X4 POST FLASH

- »To install a post or obstruction on the inside rim joist, first mark the edges of the post on the trough and draw two lines, corner to corner. Cut along the diagonal lines.
- »Pull up tabs and install the post.
- »Staple all remaining trough over flat blocking (10A).
- »Tape starting at bottom of the trough, up the post overlapping layers to assure a water tight seal working up around the post extending down onto the trough. Cut the tape at a 45-degree angle on all corners. Place a small piece of tape over the corners where the trough and post meet, to seal the corners from any leaks. (12A)

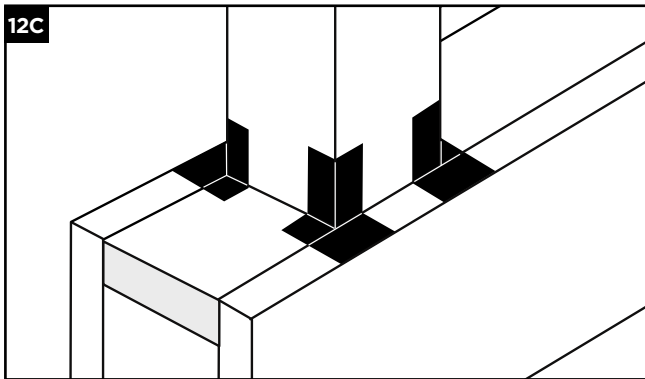


12B. RAILING POSTS, 6X6 POSTS & OBSTRUCTIONS WHEN USING 4X4 POST FLASH

- » To install a post or obstruction on the inside rim joist, first mark the edges of the post on the trough and draw two lines, corner to corner. Cut along the diagonal lines. (12A)
- » Pull up tabs and install the post.
- » Staple remaining trough to cover flat block. (10A)
- » Cut the post flash into four even sections. (12B)

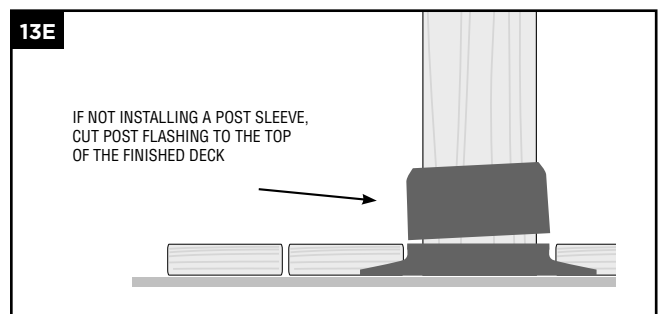
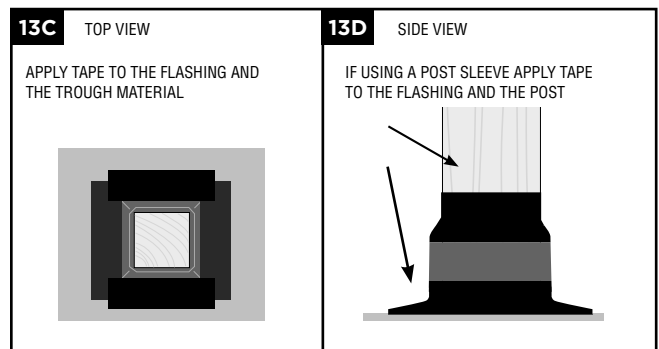
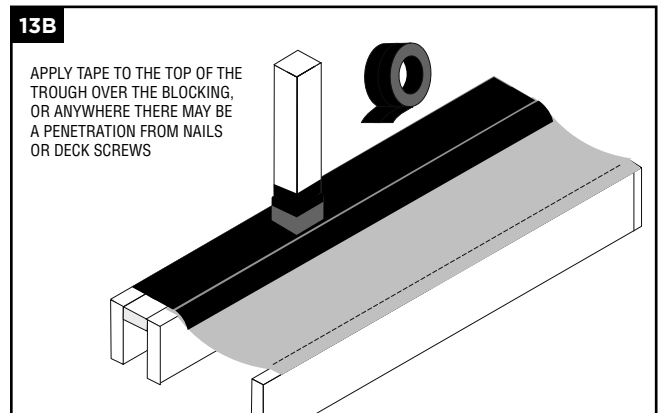
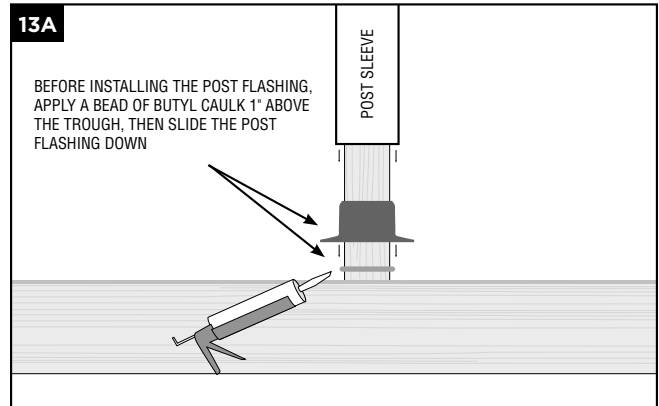


- » Attach one piece to each corner of the post. (12C)
- » Tape starting at bottom of the trough, up the post overlapping layers to assure a water tight seal working up around the post extending down onto the trough. (12A)



13. USING THE TREX RAINESCAPE 4X4 POST FLASH

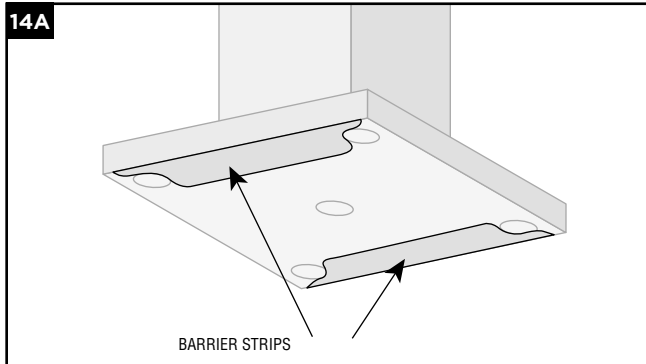
- » Install the trough as shown in 12A.
- » Run a bead of butyl caulk around the post, no more than 1" above the base of the post.
- » Slide the post flash down over the bead of butyl caulk, and tape the flanges to the top of the trough and then tape the top of the post flash to the 4x4 post.
- » After decking is installed, attach the post sleeve.
- » If no post sleeve is used for the final deck, trim the post flash to the height of the finished deck.
- » **NOTE:** Post flash only available for 4 x 4 posts. See section 12 for other sizes and obstructions.



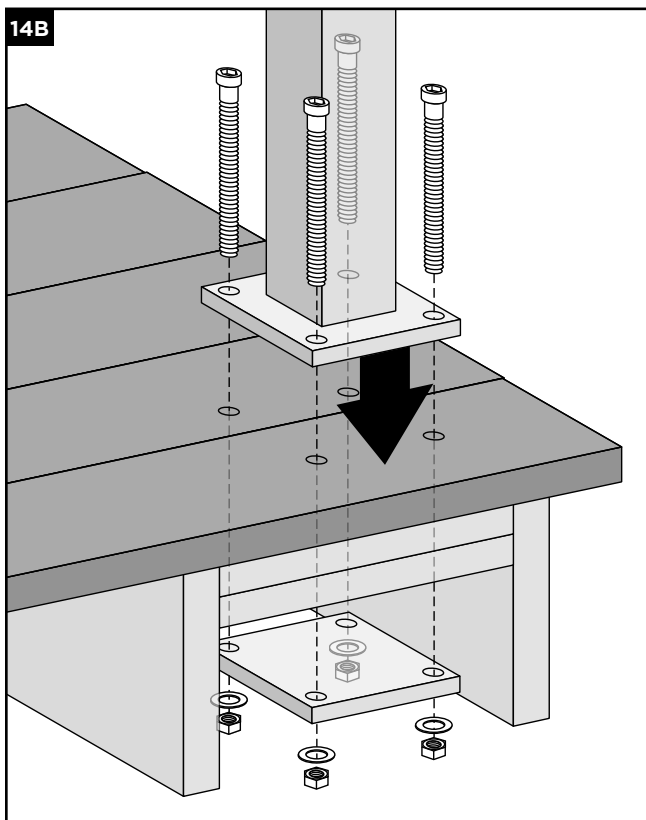
14. SURFACE MOUNT POST TO SOLID BEAM OR FLAT BLOCKING

- »When using surface mount post, pre-drill holes then use a small amount of butyl caulk on screw threads to seal holes.
- »DO NOT use too much butyl caulk or it will overflow on deck and post mount.

NOTE: Please refer to *Trex.com* for detailed post mount instructions.



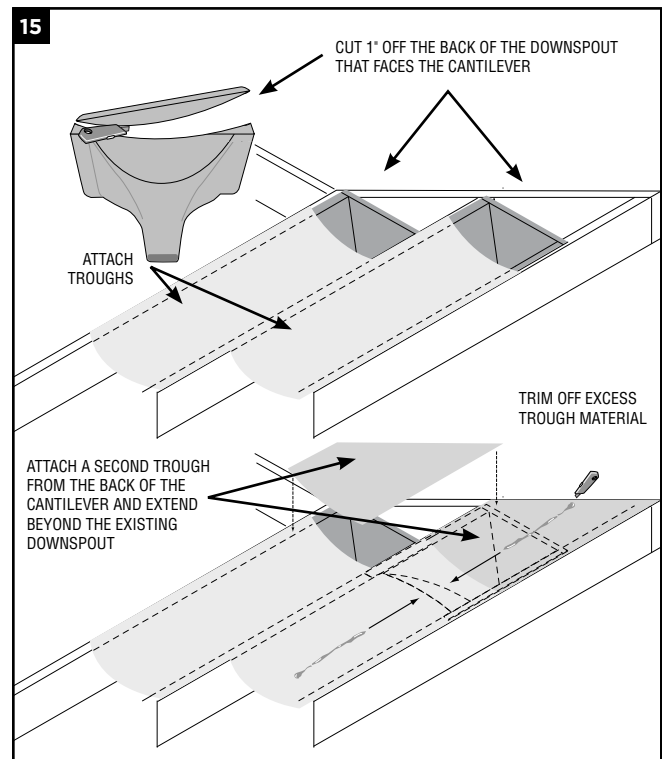
- »Insert the (2) stainless steel barrier strips under the mounting bolt holes. Barrier strips are required only if attaching post directly to pressure treated framing.



- »Attach posts using four 3/8" x 6" (1 cm x 15.2 cm) hex cap bolts, washers, and nuts, along with aluminum back plate on underside of blocking.

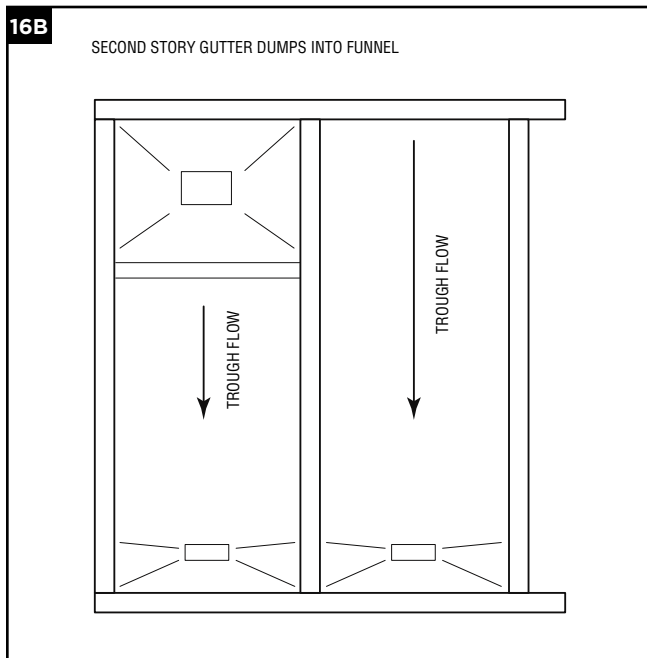
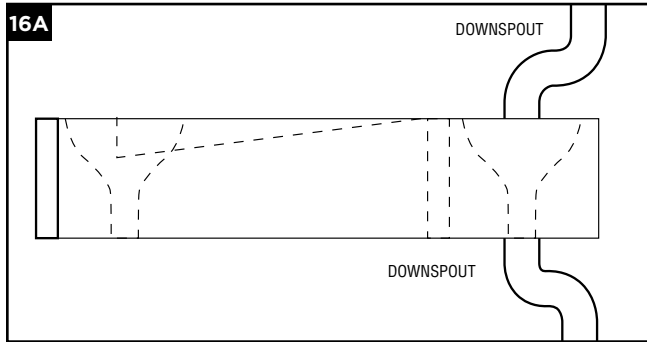
15. CANTILEVERED DOWNSPOUT

- »Tear off the cut-out on the front panel of the downspout.
- »On the back side of the downspout draw a line from corner to corner extending down 1". Cut the downspout following the line. (Some downspouts may have this line pre-indicated).
- »Staple the trough material from the end of the cantilever over the existing trough. Repeat all the steps as necessary for trough installation.
- »Tape over all joists and seams.



16. DRAINING SECOND STORY GUTTER ON DECK

»Block out a 14" x 16" o.c. rectangle where the second story gutter discharges onto the deck. (16B)



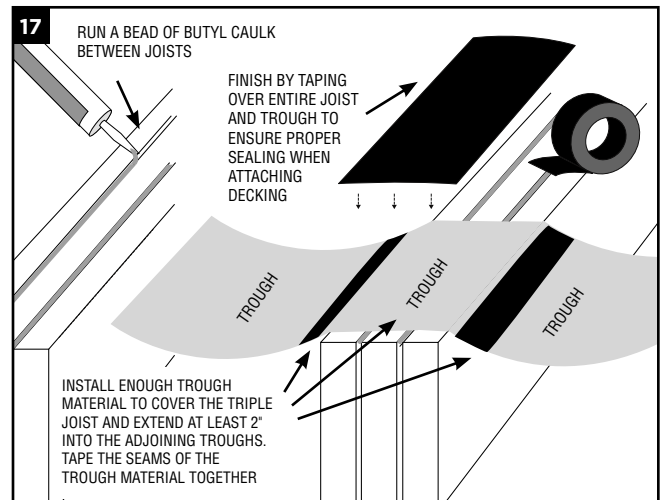
»Place downspout in rectangle (do not remove openings).
 »Tape downspout in place.

17. INSTALLING A TROUGH OVER A DOUBLE OR TRIPLE JOIST

»Caulk between each joist to ensure a water tight seal between the joists.
 »Cover the top of the joist with the trough material that overlaps into both adjacent bays. Tape seams and trough material where screw penetration may occur.
 »Tape over the top of the triple joist and trough material that sits on top of the joist.

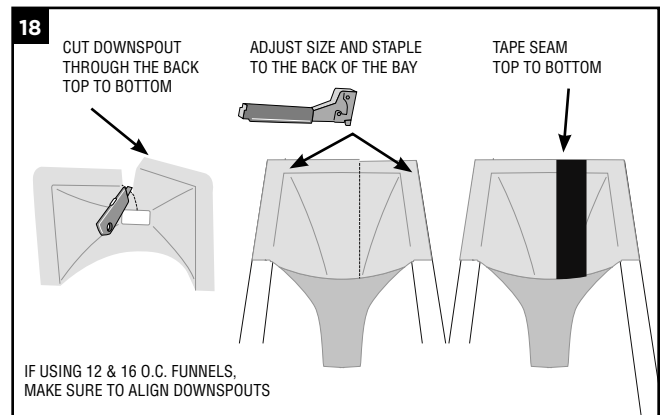
NOTE: All wood must be covered with trough material and taped wherever decking will be screwed.

If installing a post in this location, consult with the local building code official prior to installation to ensure all code and safety requirements are met.



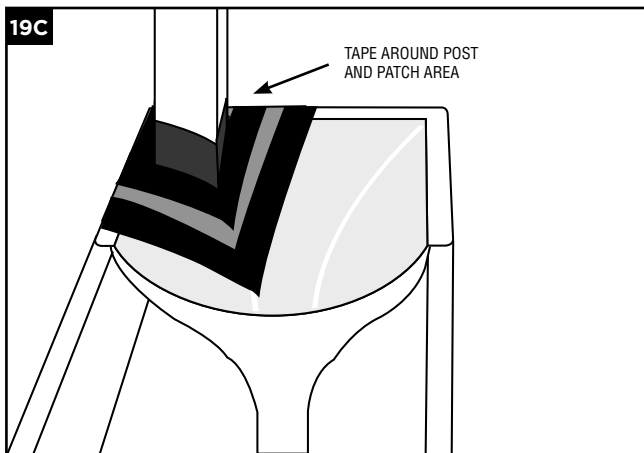
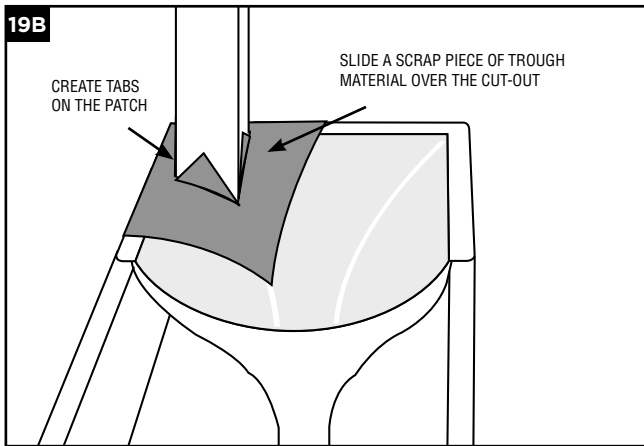
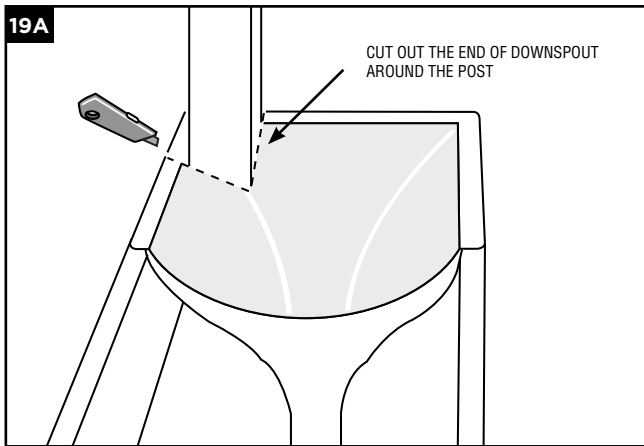
18. MODIFIED DOWNSPOUTS

»For odd joist spacing you must modify the downspout.
 »Tear or cut out the front opening.
 »Cut through the back of the downspout half way down, so that downspout fits bay opening.
 »Adjust the downspout to fit in the bay and staple to secure.
 »Adjust the downspout to fit in the bay and staple to secure.
 »Finish by taping the seam from top to bottom.



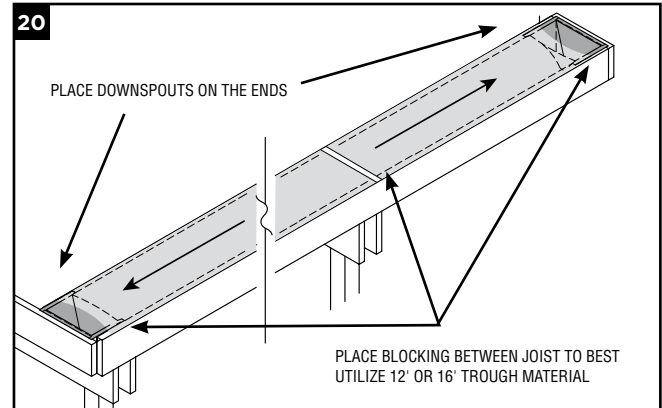
19. MODIFYING DOWNSPOUT FOR OBSTRUCTIONS

- » Trace the obstruction on the downspout and remove the material with a knife. (19A)
- » Cut a patch of trough material 2" larger than the opening and create flaps on patch as per previous instructions (obstructions and posts) and slide over the top of the obstruction. (19B)
- » Tape over trough material, using caulk if necessary. (19C)



20. DOUBLE EXTENDED DECKS (OVER 19')

- » Place downspouts on the opposite ends from where the existing deck and the deck extension meet.
- » Install a trough from the blocking of the extension to the downspout.
- » Tape all seams & edges as per previous instructions.

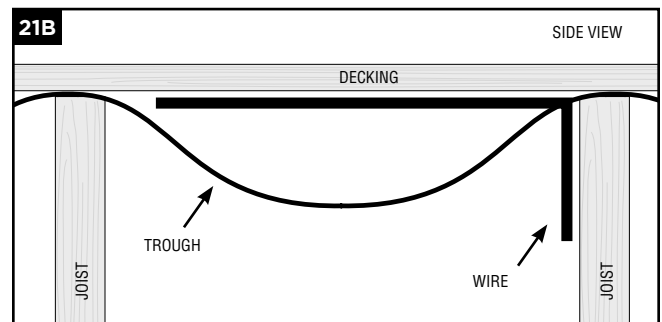
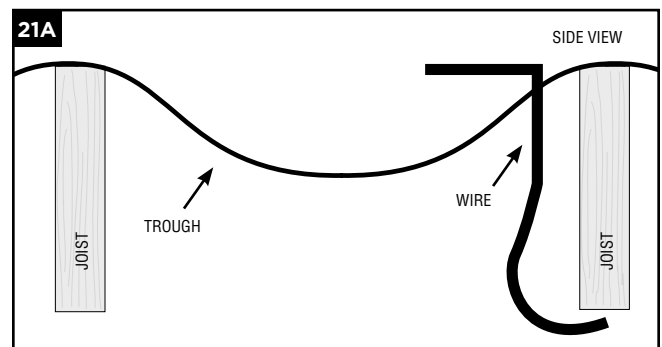


21. RUNNING WIRES OR OBSTRUCTIONS THROUGH TROUGH OR DOWNSPOUT

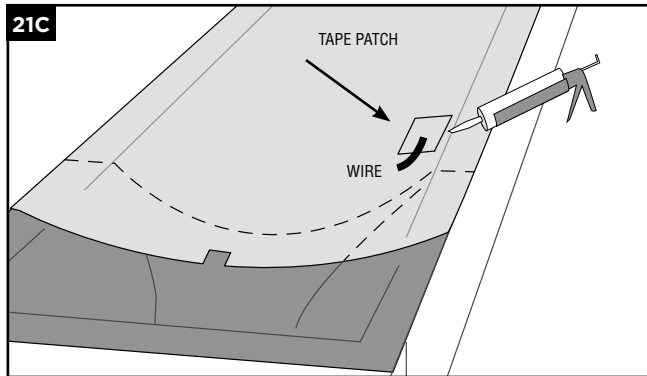
- » Two ways to run wire through Trex Rainescape system:

#1 PENETRATION THROUGH TROUGH

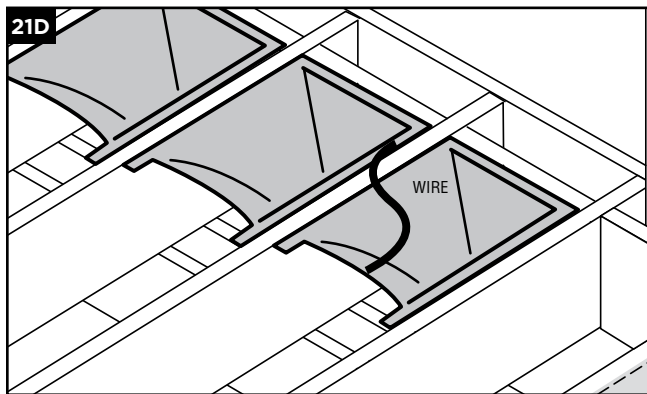
- » Pick bay for penetration. Poke hole large enough for wire.
- » Mark near joist where wire will penetrate. Keeping it close to joist helps with connection point and hole is at highest point of trough. (21A)



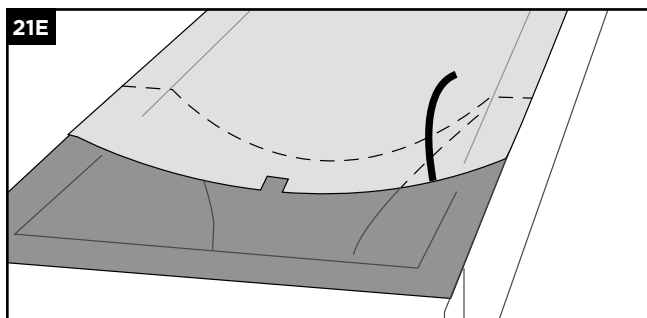
- » Cut hole to fish wire going up through side of joists. Apply butyl caulk around wire piece and tape over wire. (21C)



#2 THROUGH OPENING WHERE DOWNSPOUTS MEET TROUGH

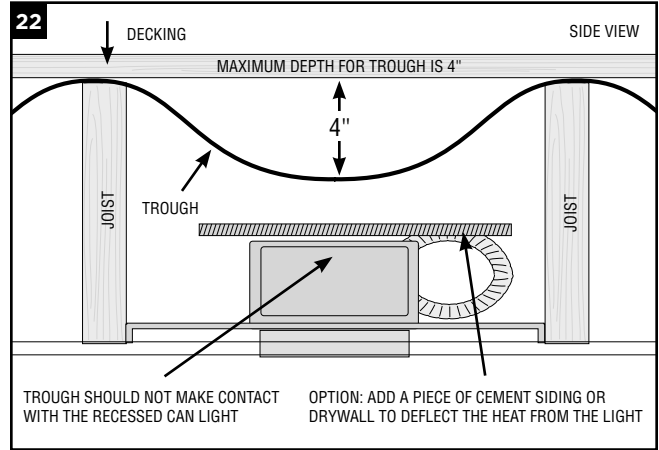


- » Fish wire up through the gap between the trough and downspout. (21D)



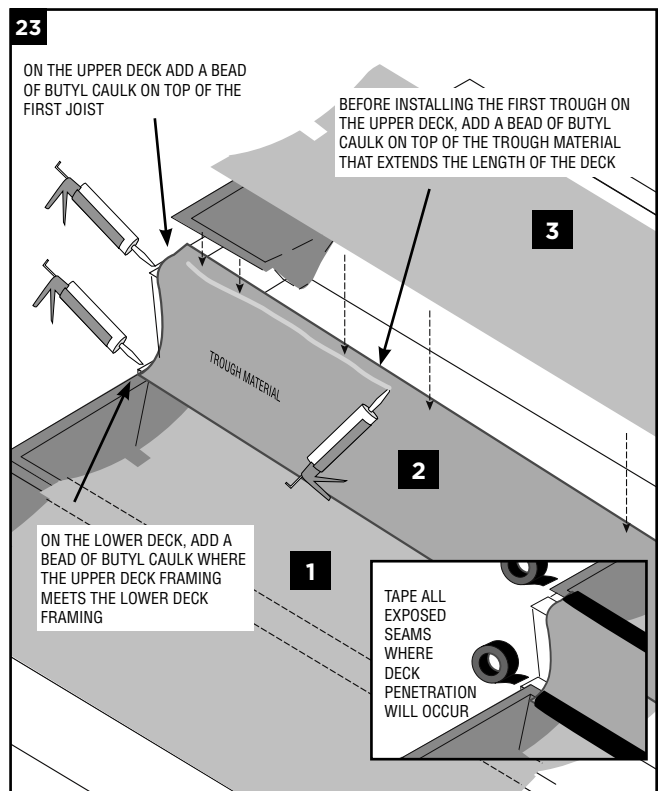
22. INSTALLING LOW PROFILE CAN LIGHTS

- » When installing low profile can lights below the trough, make sure the light does not come in contact with the trough material. (22)



23. DECK STEP

- » Install the downspouts and troughs on the lower deck. (1)
- » Install trough material starting from the lower deck working your way up the stair tread to the upper deck. Overlap the trough material from step 1. (2)
- » Install the trough and downspouts on the top deck. (3)
- » After step 3 is complete, finish the installation of the troughs and downspouts on the upper deck.
- » Tape over all exposed seams and where deck screws will penetrate.



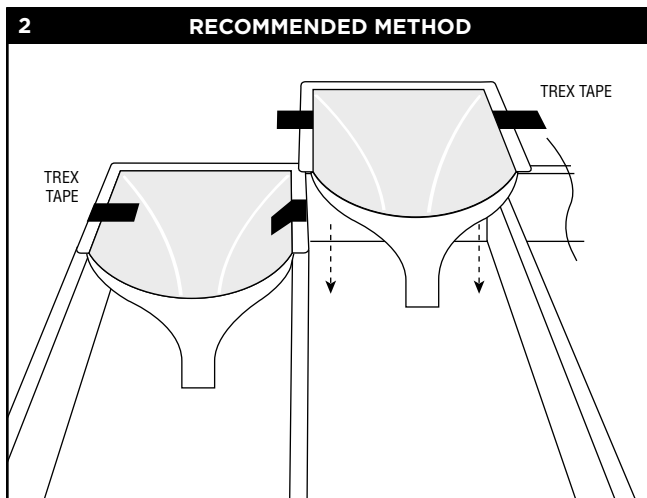
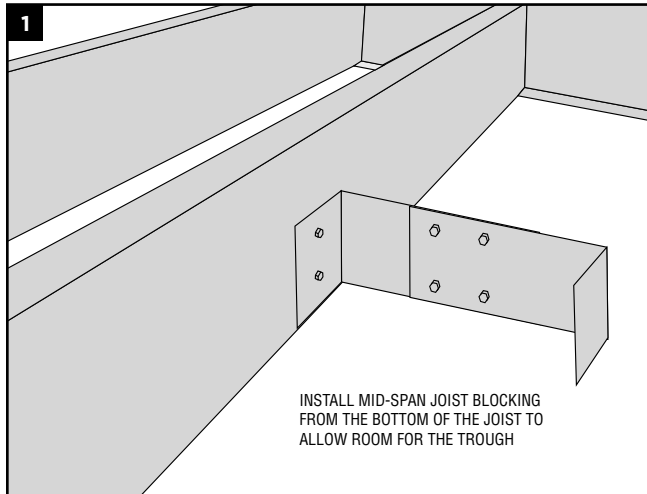
INSTALLATION USING A STEEL JOIST SYSTEM

TWO METHODS:

1. PREP

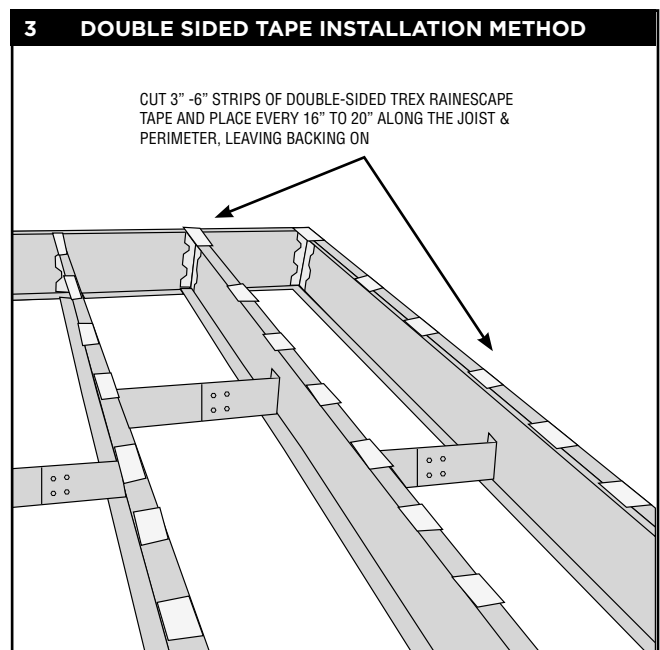
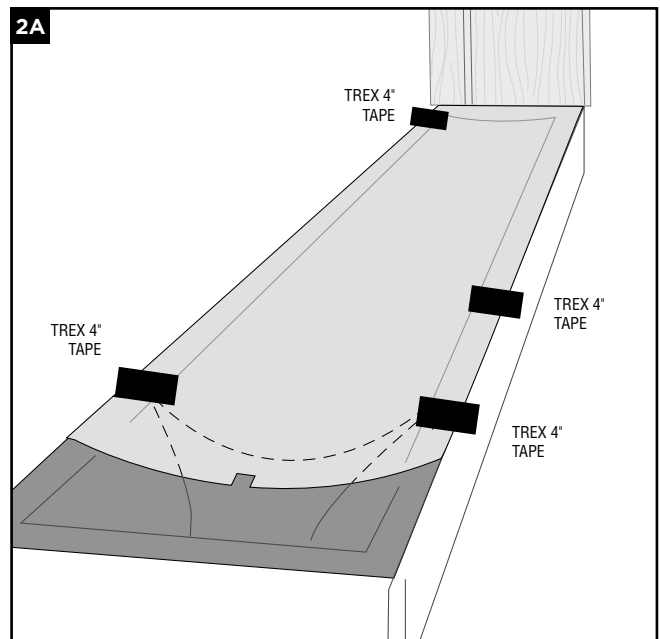
»Apply blocking mid-span between joists.

NOTE: To properly install the Trex RainEscape system over the steel joist system requires a minimum of two people.



»Take 3-4" strips of our Trex butyl tape to hold downspouts to deck joists. Tape on either side of downspout to secure.

»Instead of using staples, attach the trough material with tape using the same pattern as wood joist. (2A).



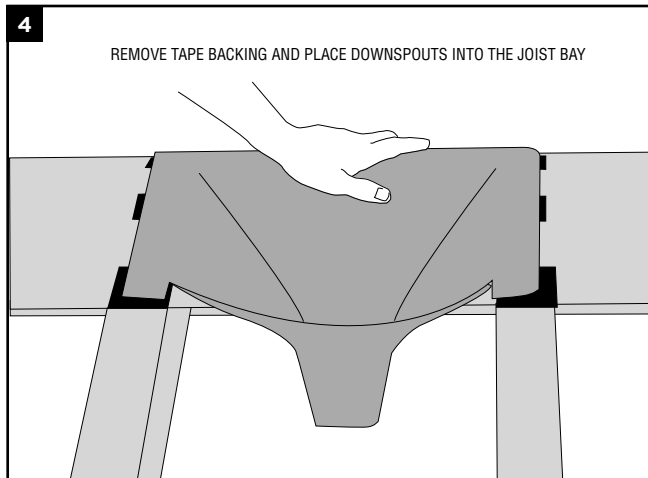
3. TAPE AROUND JOIST AND PERIMETER

»Cut 3" - 6" strips of the Trex RainEscape double-sided tape and place every 16" - 20" along the joists and perimeter leaving backing on.

»Stagger tape on second layer of trough to keep flush and level.

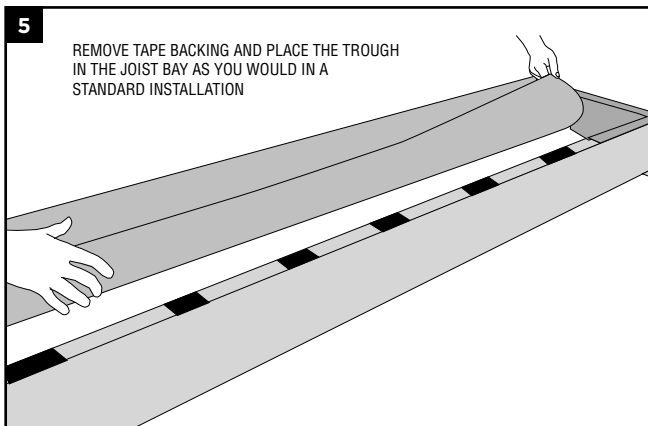
4. DOWNSPOUTS

- »Remove the backing on the double-sided tape and place the downspout in the joist bay.
- »Repeat the process the same as you would in a standard Trex RainEscape installation.



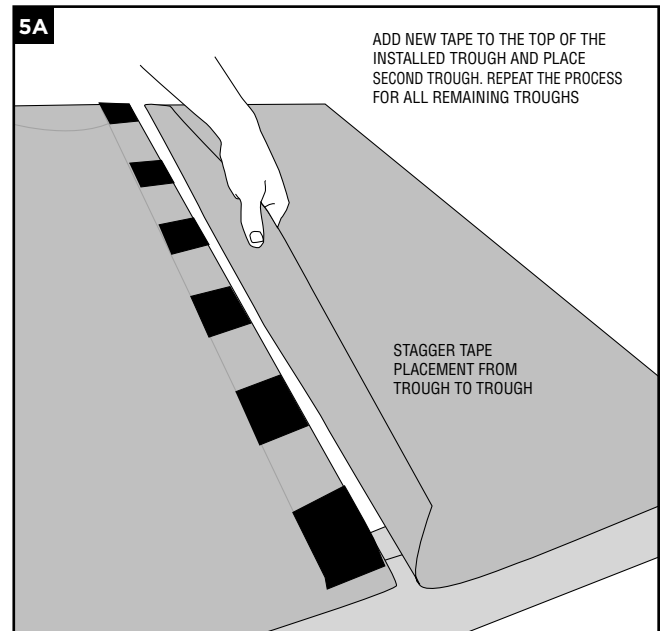
5. TROUGHS

- »Remove the backing on the double-sided tape on one side of the joist and place the first side of the trough as you would in a standard installation.
- »Place new strips of the Trex RainEscape double-sided tape along the top of the adjoining trough and install as you would in a standard installation. (5A)
- »In order to keep the trough from getting too bulky, stagger the placement for the second row of tape so as not to position it on top of the tape below.



SEALING THE SYSTEM

- »Tape the finished system with 4" Trex RainEscape Tape as you would for a standard installation.



20-YEAR WARRANTY

READ THESE WARRANTY TERMS CAREFULLY BEFORE INSTALLING OR USING THE TREX RAINEscape DECK DRAINAGE SYSTEM. YOUR INSTALLATION AND USE OF THE SYSTEM OR ANY OF ITS COMPONENTS INDICATES THAT YOU AGREE TO BE BOUND BY THESE TERMS. IF YOU DO NOT AGREE TO ALL OF THE TERMS OF THIS WARRANTY, RETURN THE PRODUCT TO THE PLACE OF PURCHASE FOR A FULL REFUND.

This warranty gives you specific legal rights, and you may also have other rights which vary from State to State.

1. WARRANTY

IBP, LLC Enterprises, LLC (IBP, LLC) warrants that at the time of sale the components of the Trex RainEscape Deck Drainage System (the "System") will be free from defects in material and manufacture and will conform to IBP, LLC's specifications for the components. IBP, LLC further warrants that for a period of twenty years after sale the System will not leak, PROVIDED THAT it is installed and maintained in accordance with IBP, LLC's instructions and is not subjected to (a) alteration or unauthorized repairs, (b) misuse or abuse, such as by puncturing, cutting, burning, melting and the like, (c) Acts of God (including without limitation hurricanes, tornadoes, floods, earthquakes, or other severe weather or natural phenomena), or (d) improper storage or handling or other treatment or installations for which it was not intended. This warranty extends only to the first owner ("the Owner") of the structure on which the system is installed who uses the structure for its intended purpose----whether residential or commercial.

2. DISCLAIMER OF OTHER WARRANTIES

The preceding warranties are the exclusive and sole express warranties given by IBP, LLC. They supersede any prior, contrary or additional representations, whether oral or written. IBP, LLC HEREBY DISCLAIMS AND EXCLUDES ALL WARRANTIES WHETHER EXPRESS, IMPLIED, OR STATUTORY-INCLUDING ANY ARISING FROM COURSE OF DEALING OR USAGE OF TRADE, ANY WARRANTY OF MERCHANTABILITY AND ANY WARRANTY OF FITNESS FOR A PARTICULAR PURPOSE, except that for System components purchased directly by a consumer, any implied warranties are limited in duration to the term of express warranties provided above. Some states do not allow limitations on how long an implied warranty lasts, so the above limitation may not apply to you.

3. EXCLUSIVE REMEDY FOR ANY NONCONFORMITIES

If during the applicable warranty period, the System or its components do not conform to the preceding Warranties,

the Owner shall notify IBP, LLC as provided below, and within a reasonable time IBP, LLC will provide, at its option, one of the following: (1) replacement components for any non-conforming or defective components or (2) the percentage of the purchase price for the non-conforming System components equal to the percentage of the warranty period remaining when IBP, LLC is notified of the nonconformity. IBP, LLC will not be liable for labor, costs of removal or reinstallation of components, disposal, freight, taxes, or other incidental charges. THESE REMEDIES ARE THE EXCLUSIVE AND SOLE REMEDIES FOR ANY BREACH OF WARRANTY. For any breach of warranty, the owner must notify IBP, LLC in writing at the address in Section 7 within thirty (30) days after discovering the nonconformity. The notice must describe the location and nature of the nonconformity. The owner must give IBP, LLC a reasonable opportunity to examine the claimed nonconformity before undertaking any repairs, removal or replacement. The owner must present the original invoice, bill, or other proof of date of purchase. Compliance with the requirements of this paragraph is a condition to coverage under the Warranty: if these requirements are not complied with IBP, LLC will have no obligation to provide any remedy for any breach of warranty.

4. DISCLAIMER OF INCIDENTAL AND CONSEQUENTIAL DAMAGES

IN NO EVENT SHALL IBP, LLC BE LIABLE FOR ANY INCIDENTAL, SPECIAL, INDIRECT, OR CONSEQUENTIAL DAMAGES, WHETHER RESULTING FROM NONDELIVERY OR FROM THE USE, MISUSE, OR INABILITY TO USE THE PRODUCT OR FROM DEFECTS IN THE PRODUCT OR FROM IBP, LLC'S OWN NEGLIGENCE. Some states do not allow the exclusion or limitation of incidental or consequential damages, so the above limitations may not apply to you.

5. APPLICABLE LAW

This warranty will be interpreted, construed, and enforced in all respects in accordance with the Laws of the State of Colorado, without reference to its choice of law rules. The U.N. Convention on Contracts for International Sale of Goods will not apply to this warranty.

6. SEVERABILITY

If any provision of this warranty is found to be invalid or unenforceable, then the remainder shall have full force and the invalid provision shall be partially enforced to the maximum extent permitted by law to effectuate the purpose of the agreement.

7. ADDRESS FOR NOTICES TO IBP, LLC

2965 S Tejon St
Englewood, CO 80110

FREQUENTLY ASKED QUESTIONS

Q: Do you have installation videos?

A: Yes, visit trexrainscape.com for installation videos and photos.

Q: Can I install the system myself?

A: Yes, however, it is easier to install with two people. If you have any questions, call a Trex RainEscape specialists at 1-877-348-1385.

Q: Can I install this over an existing deck?

A: Yes, however, it is ideally installed during new construction. You will need to remove the existing deck boards to install the system.

Q: How durable is the Trex RainEscape System?

A: Trex RainEscape is made with durable poly and ultra violet inhibitors. This will protect the Trex RainEscape system from sun, snow and rain. The system comes with a 20-year warranty.

Q: How do you clean out the debris?

A: There should be very little, if any, debris that enters the system because it has to be small enough to fit through the decking. Regular deck maintenance prevents most debris build-up as small debris simply passes through the system with water. In the rare case that there is some build up, use the 2x4 access panel.

Q: Can I install the Trex RainEscape system near Low-E doors and windows?

A: Yes, but caution must be used. Low-E glass reflects more sunlight, and it can be observed that the extra reflectivity combined with any concavity in the glass can act like a concave mirror, concentrating sunlight onto outdoor objects including decking. This can result in an extreme amount of heat in areas of the decking surface which can cause more movement of the deck than usual. Care should be used in choosing fasteners so as not to cause issues with the RainEscape system.

Q: How bright is the Trex RainEscape Soffit light?

A: The output of the Trex RainEscape Soffit light is about 500lm which is roughly equivalent to a 45W floodlight in the same color temperature.

Q: If I run into problems, is there a number I can call to ask questions?

A: Yes, please call a Trex RainEscape specialist at 1-877-348-1385 or visit www.trexrainscape.com.

NOTES



Protect your deck from moisture with

TREX[®] PROTECT[®]

JOIST AND BEAM TAPE

TREX PROTECT IS A NON-SKID, SELF-ADHESIVE BUTYL TAPE DESIGNED TO PROTECT THE TOP OF JOISTS AND BEAMS FROM MOISTURE THAT CAN LEAD TO WOOD ROT AND THE LOOSENING OF DECK SCREWS AND FASTENERS.



Trex[®] Protect[™]
JOIST & BEAM TAPE

trexprotect.com

FOR USE WITH ANY TYPE DECK

Trex Protect cannot be used when installing Trex RainEscape

*Visit trexprotect.com for the terms of this warranty



Trex RainEscape®
DECK DRAINAGE SYSTEM

trexrainscape.com