

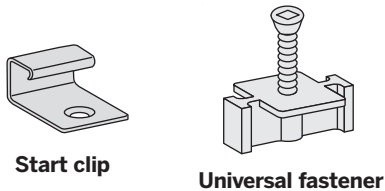
TREX® Porch Floorboard

Installation Instructions

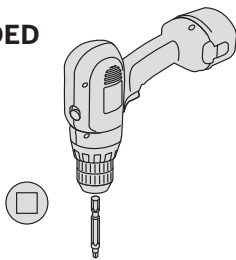


NOTE: When installing Trex Porch Floorboards in a non-covered environment, the porch structure should be slightly sloped to help allow for proper drainage. Joists should be sloped 1/8" per foot away from the house to facilitate drainage. Refer to your local building code official for recommendations BEFORE building sub-structure. When installing Trex Porch Floorboards under cover of a roof, no slope is required.

PARTS

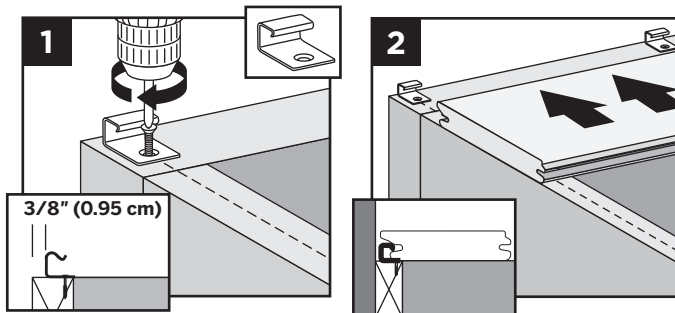


TOOLS NEEDED



NOTE: Maximum spacing of porch floorboards using Trex Hideaway® system is 16" (40.6 cm) on center.

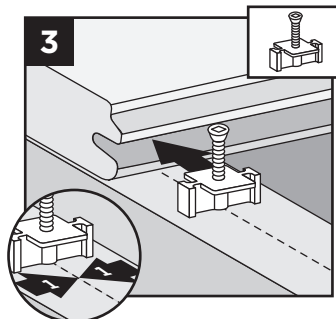
Installing Start Clips and First Porch Floorboard



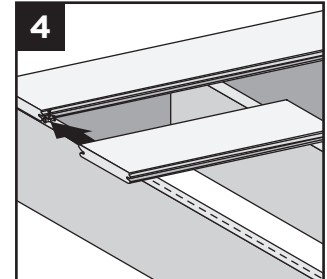
1. Measure 3/8" (1 cm) off of edge of ledger board, and install start clip onto ledger board, centered on each joist. Secure clips with screws.
2. Push grooved edge (longer edge side) of porch floorboard into start clips. **Important:** First board **MUST** be straight and well secured.

Installing Universal Fasteners

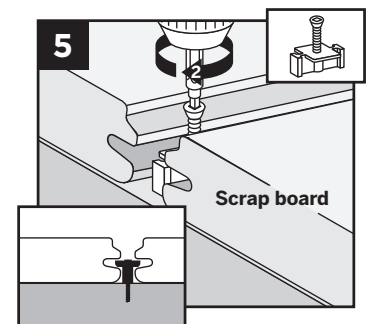
3. Insert fastener into grooved edge (shorter edge side) of porch floorboard, making sure to align screw hole in fastener with center of each joist.



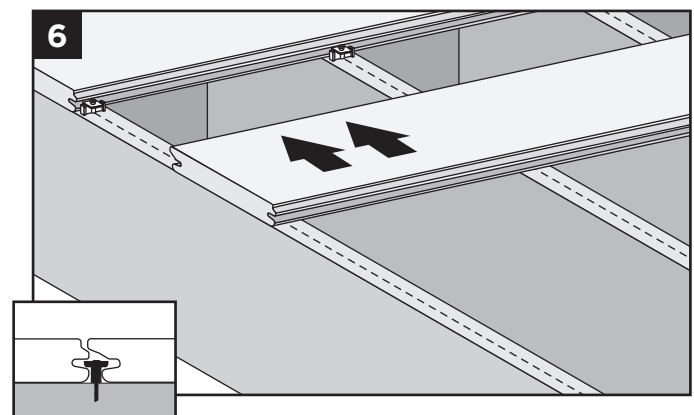
4. IT IS SUGGESTED THAT IN ORDER TO KEEP THE FASTENER STRAIGHT AND SECURE, CUT AN 18" (45.7 cm) PIECE OF PORCH FLOORBOARD SCRAP BOARD AND USE THIS AS AN AID (USE SMALLER LIP SIDE) TO HELP HOLD THE HIDDEN FASTENER DOWN BEFORE SCREWING THIS IN. This will help make sure the fastener stays fully straight for remaining boards to be attached.



5. Fully tighten (but **DO NOT** over tighten) the screw into each joist while keeping the scrap board in firm place against the hidden fastener.



Installing Second Porch Floorboard



6. Slide second porch floorboard into place, making sure fasteners fit into groove. Install the next universal fastener on the other side of the second porch floorboard in the same manner as Steps 3 through 5.

TREX Porch Floorboard

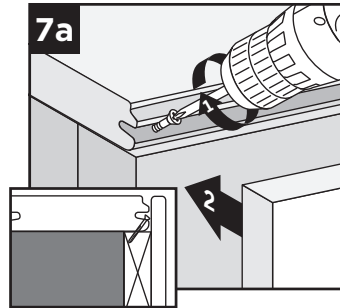
Installation Instructions



Installing Last Porch Floorboard

Option 1: Using Fascia Board

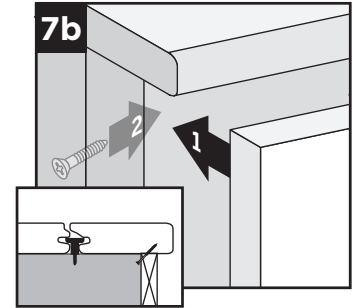
7a. Pre-drill pilot holes at an angle through grooved edge of porch floorboard into ledger board. Install 2-1/2" (6.4 cm) screws through pilot holes to secure. Attach fascia board flush with porch floorboard surface.



NOTE: In most cases, there will be additional screws that come with the Trex Universal Hidden Fasteners. These screws can also be used for attachment of the last board in the method shown above.

Option 2: With Porch Floorboard Overhang

NOTE: This side of porch floorboard will have to be cut flush to not show grooves. Note that color of porch floorboard will be slightly different at cut edge.



7b. Pre-drill pilot holes at 45° angle from below deck surface through rim joist. Seat last porch floorboard into fasteners overhanging rim joist. Secure porch floorboard with 2-1/2" (6.4 cm) screws using pilot holes. Position fascia board below overhanging porch floorboard.

HOW TO INSTALL STAIR TREADS

NOTE: Use square edge composite decking boards and manually route these on one side to allow for use with hidden fasteners.

Option 1: Using Hidden Fasteners and Face Screwing

1. Install start clips against riser on each step.
2. Install first board. See steps on front side.
3. Install second board. See steps on front side.
4. Secure with screws from top of second board into stringer boards.

Option 2: Using Hidden Fasteners and 2" x 4" (5.1 cm x 10.2 cm) Wood Support Blocks

1. Install start clips against riser on each stair tread. See steps on front side.
2. Install first board. See steps on front side.
3. Attach 2" x 4" (5.1 cm x 10.2 cm) blocks between stringers.
4. Pre-drill holes up through blocks.
5. Install second board. See steps on front side.
6. Secure with screws from bottom through blocks and into stair treads.

